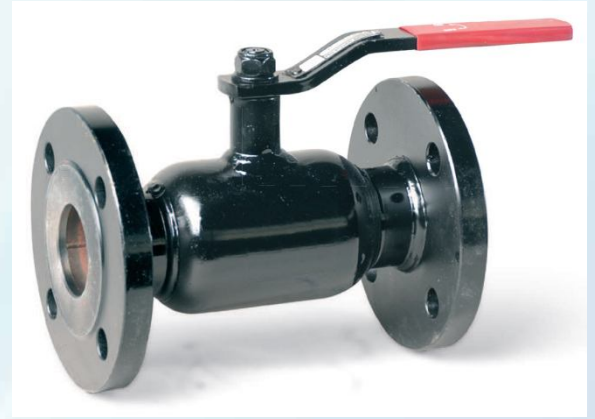
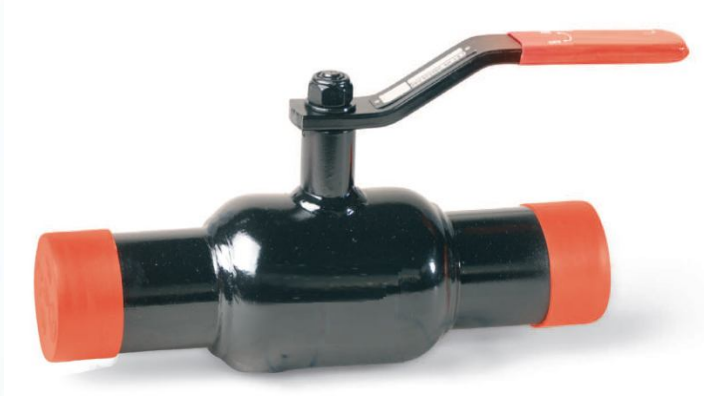


BALL VALVE – Fully Welded - SERIES SFF1270 - Butt-Weld

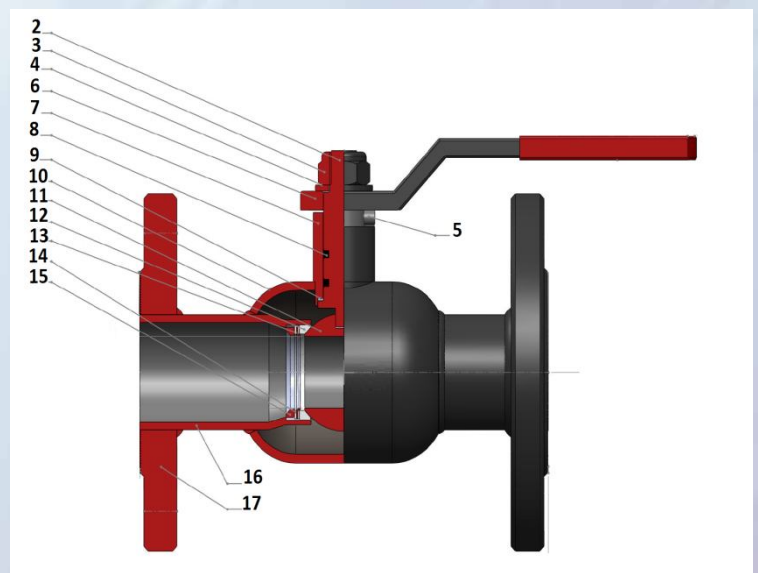
BALL VALVE – Fully Welded - SERIES SFF1280 - Flanged



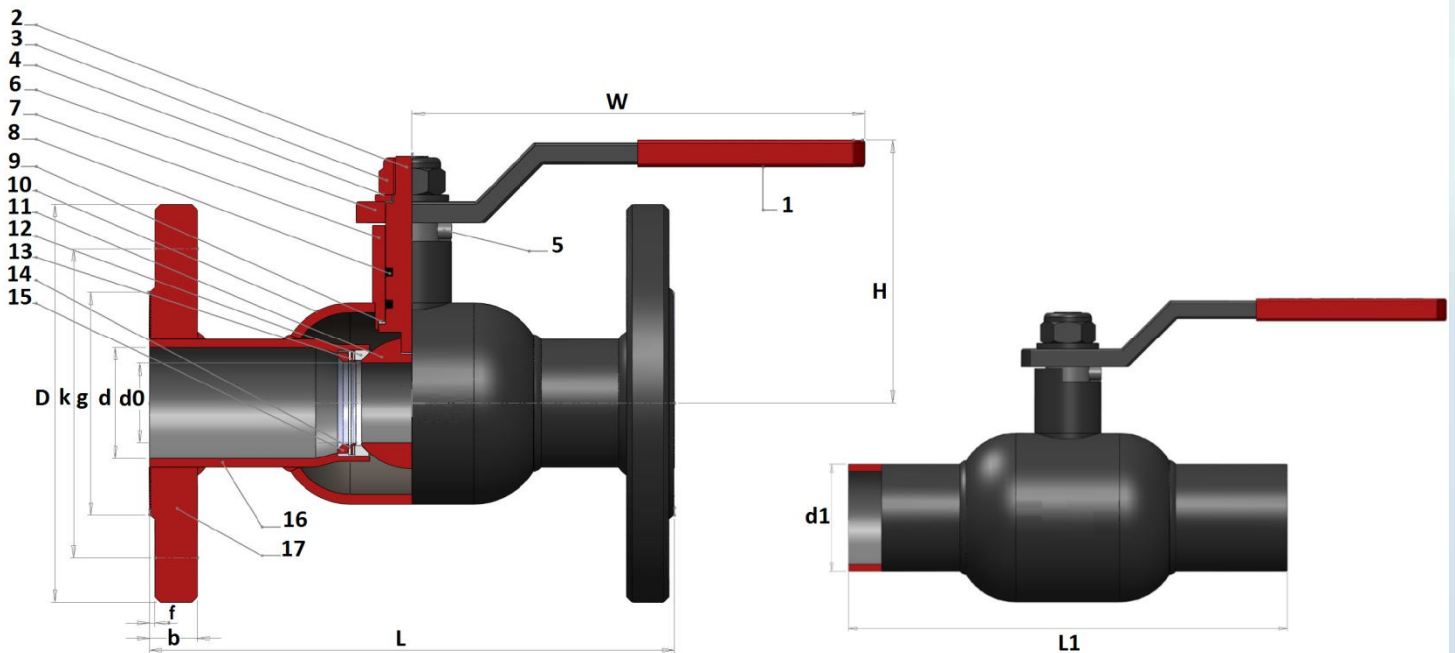
- Fully-welded ball valve
- High-pressure-resistant pipes PN40
- Smooth and flawless body binding obtained through fully-automatic welding machines
- Leakage class A (zero leakage) due to non-mechanical type of assembly
- No maintenance needed
- Maximum working pressure: 40 bar
- Minimum working temperature: -40°C
- Maximum working temperature: +200°C

Materials:

| POS. | DESCRIPTION | MATERIAL |
|------|----------------|-----------------|
| 1 | Sleeve | Plastic |
| 2 | Stem | AISI304 |
| 3 | Nut | DIN 934 |
| 4 | Washer | Stainless Steel |
| 5 | Pin | Stainless Steel |
| 6 | Handle | ST37 |
| 7 | Housing | ST37 |
| 8 | O-Ring | FKM/EPDM |
| 9 | Thrust Washer | PTFE |
| 10 | Body | ST37 |
| 11 | Ball | AISI316 |
| 12 | Seat | PTFE |
| 13 | L-Profile Ring | AISI304 |
| 14 | Ring | Q |
| 15 | Support Ring | ST37 |
| 16 | End Pipe | ST37 |
| 17 | Flange | ST37 |



Dimensions



| DN | d | d0 | d1 | g | k | D | f | b | L | L1 | H | W | Kg | |
|-----|-------|-----|-------|-----|-----|-----|---|----|-----|-----|-----|-----|-----|-----|
| | | | | | | | | | | | | | BW | FLG |
| 15 | 16,0 | 14 | 21,3 | 46 | 65 | 95 | 2 | 14 | 130 | 230 | 57 | 135 | 1,0 | 2,2 |
| 20 | 21,6 | 14 | 26,9 | 56 | 75 | 105 | 2 | 16 | 150 | 230 | 57 | 135 | 1,2 | 3,0 |
| 25 | 27,2 | 19 | 33,7 | 65 | 85 | 115 | 2 | 16 | 160 | 230 | 61 | 150 | 1,7 | 3,9 |
| 32 | 36,0 | 24 | 42,4 | 76 | 100 | 140 | 2 | 18 | 180 | 260 | 98 | 150 | 2,2 | 5,6 |
| 40 | 41,8 | 30 | 48,3 | 84 | 110 | 150 | 2 | 18 | 200 | 260 | 115 | 165 | 2,3 | 6,2 |
| 50 | 53,0 | 38 | 60,3 | 99 | 125 | 165 | 2 | 20 | 230 | 300 | 120 | 200 | 3,6 | 8,2 |
| 65 | 68,8 | 47 | 76,1 | 118 | 145 | 185 | 2 | 20 | 270 | 300 | 132 | 225 | 5 | 11 |
| 80 | 80,8 | 62 | 88,9 | 132 | 160 | 200 | 2 | 20 | 280 | 300 | 143 | 260 | 7 | 14 |
| 100 | 104,3 | 76 | 114,3 | 156 | 180 | 220 | 2 | 22 | 300 | 325 | 176 | 300 | 11 | 19 |
| 125 | 129,0 | 96 | 139,7 | 184 | 210 | 250 | 2 | 22 | 325 | 325 | 210 | 350 | 19 | 27 |
| 150 | 155,4 | 119 | 168,3 | 211 | 240 | 285 | 2 | 24 | 350 | 350 | 240 | 520 | 29 | 43 |
| 200 | 203,0 | 142 | 219,1 | 266 | 295 | 340 | 2 | 24 | 550 | 500 | 308 | - | 73 | 92 |
| 250 | 256,0 | 190 | 273,0 | 319 | 355 | 405 | 2 | 26 | 650 | 650 | 357 | - | 155 | 181 |
| 300 | 299,8 | 240 | 323,9 | 370 | 410 | 460 | 2 | 28 | 750 | 700 | 433 | - | 209 | 245 |