

MODEL**KP**

TRANSMITTER ISOLATION VALVE

Orbinox **KP** valve provides isolation of an instrument level transmitter from a storage tank. Installation of this valve allows for transmitter replacement or maintenance without disruption of the process or draining of the vessel.

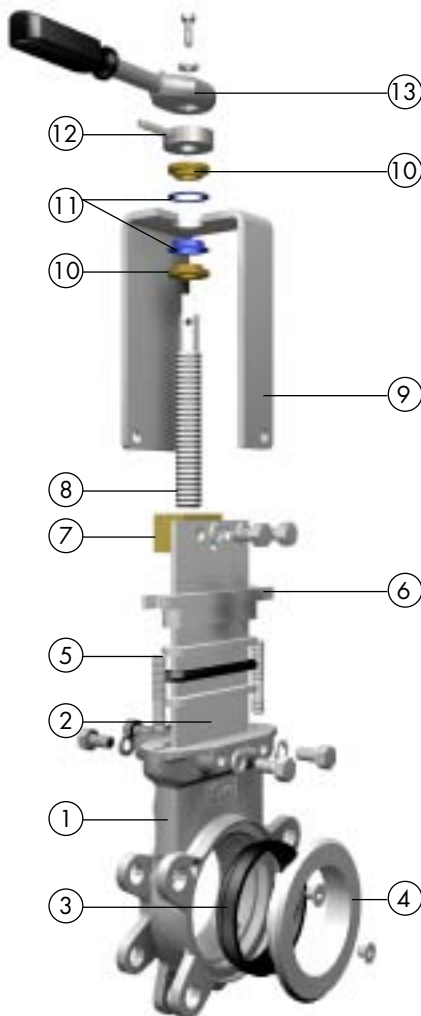
Sizes: DN 80

Standard flange connection: PN10 / ANSI 150
Tank side: see pag. 4

Working pressure: DN80: 10 bar

Directives: DIR 98/37/CE (MACHINES)
DIR 97/23/CE (PED) Fluid: Group 1 (b),
2 (Cat. I, mod. A)
DIR 94/9/CE (ATEX) Please contact Orbinox for
information and availability of categories and zones.

All valves are tested prior to shipping in accordance with the standard developed by the Quality Control Department at ORBINOX.



STANDARD PARTS LIST

Part:	Material:
1- Body	CF8M (1.4408)
2- Gate	AISI 316 (1.4404)
3- Seat	EPDM
4- "K" Ring	AISI 316 (1.4404)
5- Packing	Dynapack (Graphite impregnated PTFE and Aramid yarn combination with an elastomeric core)+ (EPDM O-ring)
6- Gland	CF8M (1.4408)
7- Stem nut	Brass
8- Stem	AISI 430 (1.4016)
9- Yoke	AISI 304 (1.4301)
10 - Bushing	Brass
11- Bushing + washer	Nylon
12- Spring Pin	DIN1481
13- Ratchet wrench	Carbon steel
14- Bolts&Nuts	A2



Reserves the right to change specifications without notice

ORBINOX SA Pol. Ind. s/n-20270 ANOETA (Spain) Tel.: +34 943 698030 - Fax: +34 943 653066 e-mail:orbinox@orbinox.com

ORBINOX CANADA, ORBINOX USA, ORBINOX COMERCIAL, ORBINOX UK, ORBINOX FRANCE, ORBINOX GERMANY, ORBINOX INDIA, ORBINOX CHINA, ORBINOX S.E.A.

www.orbinox.com

OBX 09/09 | 2nd EDITION

KP-1

DESIGN FEATURES

BODY:

Wafer style cast stainless steel **monoblock** with raised face.
 Internal cast-in gate wedges and guides allow for tighter shut-off.
 Full port design for greater flow capacity and minimal pressure drop.
 Internal design avoids any build-up of solids that would prevent valve from closing.

GATE:

Stainless steel gate as standard.
 Gate is polished on both sides to avoid jamming and seat damage.
 The bottom of the gate edge is machined to a bevel to cut through solids for a tighter seal in the closed position.

SEAT: (resilient)

Unique design that mechanically locks the seat in the inner side of the valve body with a cast, easy to replace, stainless steel seat ring.
 Standard EPDM also available in different materials such as PTFE, etc.

PACKING:

Long-life packing with several graphite impregnated PTFE and Aramid yarn combination with an elastomeric core, plus an EPDM O-ring with an easy access packing gland ensuring a tight seal. Long-life braided packing is available in a wide range of materials.

STEM:

The standard stainless steel stem offers a long corrosion resistant life.

ACTUATORS:

All valves supplied with WRENCH.

YOKE or ACTUATOR SUPPORT:

Made of stainless steel (EPOXY coated steel available on request).
 Compact design makes it extremely robust even under the most severe conditions.

EPOXY COATING:

The epoxy coating on all **ORBINOX** cast iron and carbon steel components is electrostatically applied, making the valves corrosion resistant with a high quality finished surface.

The **ORBINOX** standard colour is RAL-5015 **blue**.



TEMPERATURE CHART

SEAT / SEALS			PACKING		
Material	Max.Temp.(°C)	Applications	Material	Max. Temp. (°C)	pH
EPDM (E)	120	Acids and non mineral oils.	Dynapack (DP)	270	2 - 14
Nitrile (N)	120	Resistance to petroleum products.	Braided PTFE (TH)	260	0 - 14
Viton (V)	200	General chemical service. High temperature.	Graphited (GR)	600	0 - 14
Silicone (S)	250	Food service. / High temperature.	Ceramic fibre (FC)	1200	—
PTFE (T)	250	Corrosion resistance.	NOTE: all types include an elastomere O-ring (same material as seal).		
Polyurethane	90	Abrasion resistance.			

More details and other materials on request.

SEAT TYPES

TYPE "K" SEAT (EPDM)



- Standard replaceable resilient EPDM seat.
- Replaceable stainless steel ring.

DEFLECTION CONE "C"



- Deflects the media away from any internal exposed parts of the valve such as gate guides, seat, etc.
- Different types of material available such as AISI 316 stainless, CA15, Ni-Hard, etc.

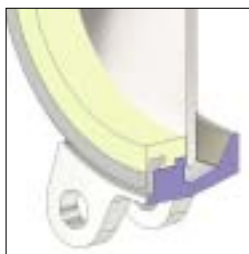
Face to face dimension increase:
 DN 50 to DN 250 X = 9mm
 DN 300 to DN 600 X = 12mm
 Larger diameters on request.

TYPE "K" SEAT (PTFE)



- Replaceable resilient PTFE + O-ring seat.
- Replaceable stainless steel ring.

POLYURETHANE

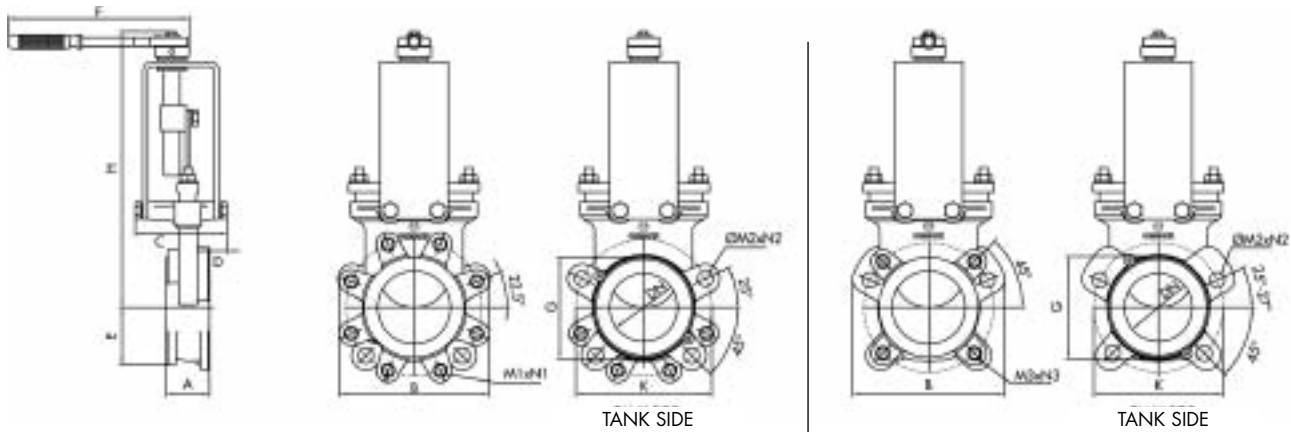


- Replaceable polyurethane seat ring.

MODEL

KP

MAIN DIMENSIONS



PN 10

ANSI 150

	DN	A	B	C	D	E	F	G	H	K	PN10		ANSI class 150		TANK SIDE	
											M1	N1	M3	N3	ØM2	N2
PN 10	80	51	177	110	22	88	212	120	325	160	M16	8	-	-	18	4
ANSI Class 150	80	51	180	110	22	74	212	120	325	152.4	-	-	5/8-11 UNC	4	18	4