

**MODEL****BT****SERIES 21**

## HEAVY DUTY KNIFE GATE VALVE

The **BT(SER.21)** model knife gate is a bi-directional lug type valve designed according to MSS-SP-81 and TAPPI TIS 405-8 for industrial service applications. The design of the body and seat assures non-clogging shut off on suspended solids in industries such as:

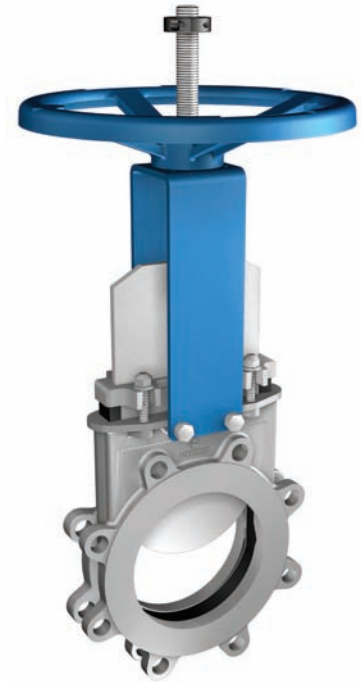
- Pulp and Paper
- Chemical plants
- etc.
- Power plants
- Wastewater
- Mining
- Food and Beverage

**Sizes:** DN 2"/50 to DN 24"/600 (larger diameters on request)

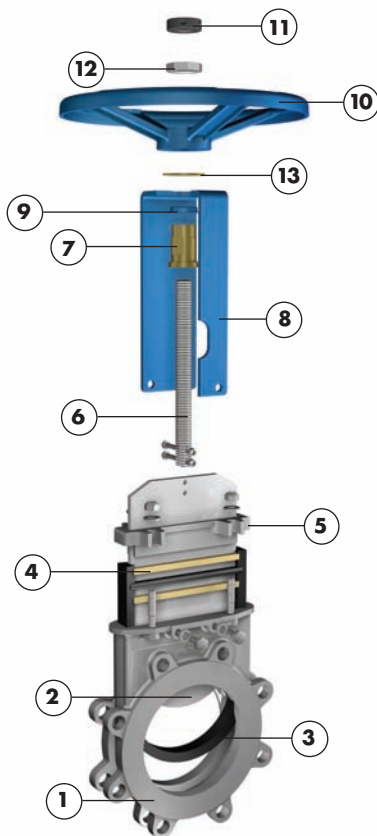
**Working pressure:** DN 2"/50 to DN 24"/600: 150psi / 10kg/cm<sup>2</sup>

**Standard flange connection:** ANSI B16.5 (class 150)  
Others on request

**Directives:** DIR 98/37/CE (MACHINES)  
DIR 97/23/CE (PED) Fluid: Group 1(b), 2 (Cat. I, mod. A)  
DIR 94/9/CE (ATEX) Please contact Orbinox for information and availability of categories and zones.



All valves are tested prior to shipping in accordance with the standard developed by the Quality Control Department at ORBINOX.



### STANDARD PARTS LIST

Part:	Stainless Steel:
1- Body	CF8M
2- Gate	AISI 316
3- Seal	EPDM
4- Packing	PTFE Impreg. Synth. Fibre + EPDM O-Ring
5- Gland Follower	CF8M
6- Stem	AISI 430
7- Stem Nut	Brass
8- Yoke	Carbon Steel - Epoxy Coated
9- Collar	Nylon
10- Handwheel	Ductile iron A536 (60-40-18)
11- Shaft collar	Stainless steel
12- Nut	Stainless steel
13- Thrust Washer	Brass



Reserves the right to change specifications without notice

**ORBINOX S.A.** Pol. Ind. s/n-20270 ANOETA (Spain) Tel.: +34 943 698030 - Fax: +34 943 653066 e-mail:orbinox@orbinox.com  
ORBINOX CANADA, ORBINOX USA, ORBINOX BRAZIL, ORBINOX COMERCIAL, ORBINOX UK, ORBINOX FRANCE, ORBINOX GERMANY, ORBINOX INDIA, ORBINOX CHINA, ORBINOX S.E.A.

[www.orbinox.com](http://www.orbinox.com)

OBX 03/12 | 2nd EDITION | Revision 3  
BT(SER.21)-1

**MODEL****BT****SERIES 21**

## DESIGN FEATURES

**BODY:**

One piece integrally cast stainless steel body with reinforced ribs in larger diameters for extra body strength.  
Internal cast guides allows for tighter shutoff.  
Port design according to MSS-SP-81 and Tappi TIS 405-8.  
Internal design avoids any build up of solids that could prevent valve from closing.

**GATE:**

Standard AISI 316 stainless steel gate.  
Gates polished and lapped for a greater seal between the gate and both the packing and seat.

**SEAT:** (resilient)

Retained in the valve body internal groove by its trapezoidal shape.  
Standard EPDM; also available in different materials such as Viton, nitrile, etc.

**PACKING:**

Standard braided PTFE impregnated fibre with EPDM o-ring for better shut off, with an easy access packing gland ensuring a tight seal  
Long-life braided packing is available in a wide range of materials.

**STEM:**

The standard stainless steel stem offers a long corrosion resistant life.  
For rising stem handwheel actuators only, a shaft collar is provided for protection and regulation of the stroke.

**ACTUATORS:**

All actuators supplied by **ORBINOX** are interchangeable, and supplied with an standard mounting kit to allow for installation on site.

**YOKE or ACTUATOR SUPPORT:**

Made of EPOXY coated steel (stainless steel available on request).  
Compact design makes it extremely robust even under the most severe conditions.

**EPOXY COATING:**

The epoxy coating on all **ORBINOX** cast iron and carbon steel valve bodies and components is electrostatically applied making them corrosion resistant with a high quality finished surface.  
The **ORBINOX** standard colour is RAL-5015 blue.

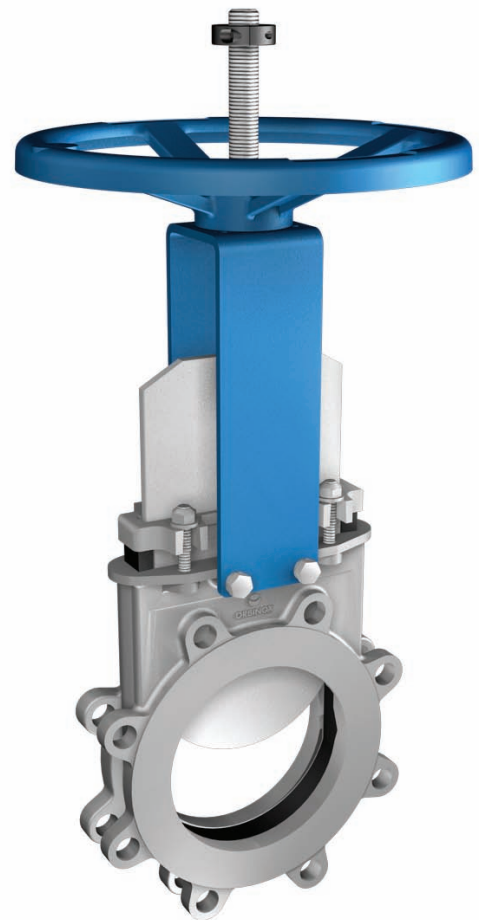
**GATE SAFETY PROTECTION:**

\***ORBINOX** automated valves are provided with gate guards in accordance with EU Safety Standards.  
The design feature prevents any objects from being caught accidentally while the gate is moving.

**OTHER MATERIALS:**

On request, the body and the gate can be supplied in other materials.

\* IN EUROPE ONLY



**MODEL**

**BT**

**SERIES 21**



## ACTUATOR TYPES

### Manual:

Handwheel (rising & non-rising stem)  
Chainwheel  
Bevel Gear  
Other (square nut...)

### Automatic:

Electric  
Double Acting Pneumatic  
Single Acting Pneumatic  
Hydraulic

All actuators supplied by ORBINOX are interchangeable.

## FAIL SAFE SYSTEMS

Used on pneumatic actuated valves

### SINGLE ACTING / SPRING RETURN

Available from DN 2"/50 to 8"/200

Options:

- Fail open
- Fail closed

### SINGLE ACTING / VOLUME TANK

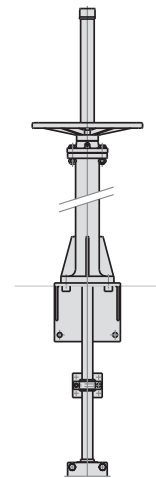
Available for all sizes (DN>8"/200)

Options:

- Pneumatic Failsafe
- Pneumatic or Electric Failsafe

## ACCESSORIES

Mechanical stops  
Locking device  
Manual override  
Solenoid valves  
Positioners  
Limit switches  
Proximity switches  
Floor stands  
Stem extensions



Wide range of valve extensions available.

*For further information about fail safe systems and valve extensions, please see EX chapter.*

We recommend consultation with our technical department.

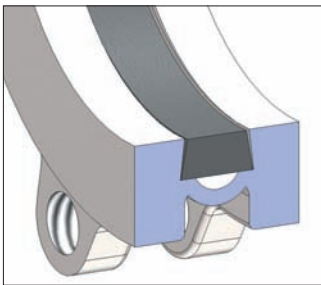
**TEMPERATURE CHART**

SEAT / SEALS			PACKING		
Material	Max.Temp.(°C)	Applications	Material	Max. Temp. (°C)	pH
EPDM (E)	120	Acids and non mineral oils.	Dry cotton (AS)	50	6 - 8
Nitrile (N)	120	Resistance to petroleum products.	PTFE impregn. synth. fibre (ST)	240	2 - 13
Viton (V)	200	General chemical service. High temperature.	Braided PTFE (TH)	260	0 - 14
			Graphited (GR)	600	0 - 14
			Ceramic fibre (FC)	1200	—

More details and other materials upon request.

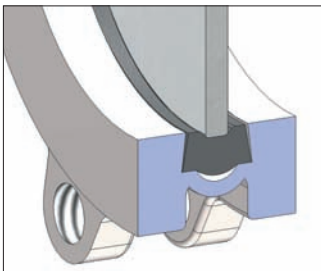
NOTE: all types include an elastomere O-ring (same material as seal), excluding TH, GR and FC.

**SEAT TYPES**



**Resilient seat:**

The seat is retained in the valve body's internal groove by its trapezoidal shape and is in contact with the gate around its perimeter. This design provides water-tightness and seamless liquid flow in both directions while avoiding any build-up of solids that could prevent the valve from closing.



MODEL

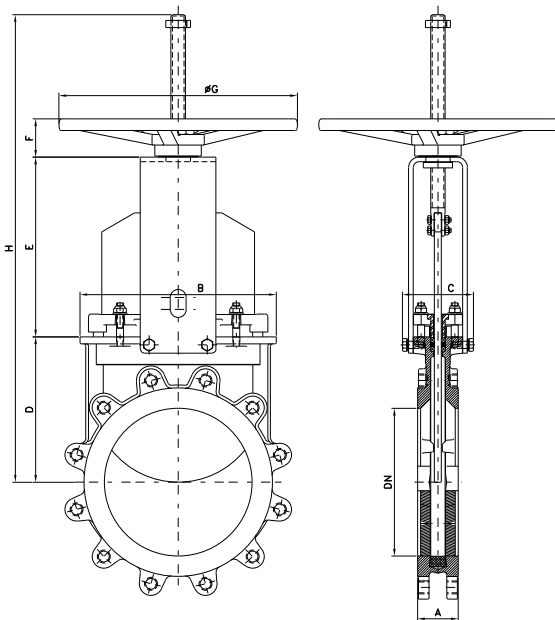
**BT**

**SERIES 21**

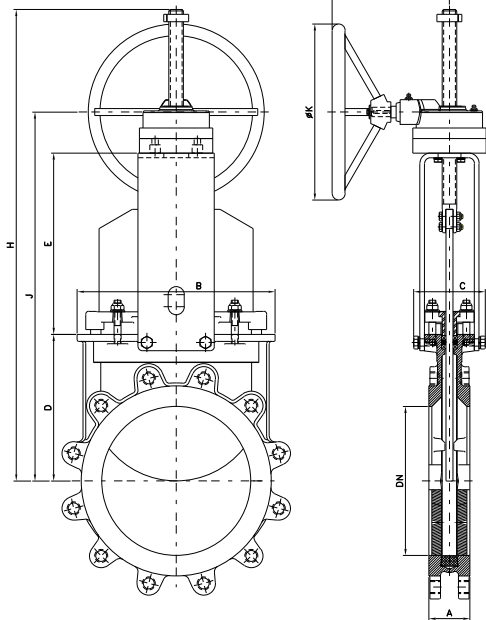


**HAND OPERATED (Rising stem)**

**HANDWHEEL**



**GEAR**



- Standard handwheel actuator. Available from DN 2"/50 to DN 10"/250
- Consists of:
  - Handwheel: Ductile iron
  - Stem
  - Stem nut
  - Shaft collar
  - Yoke
- Options (on request):
  - Chainwheel
  - Locking Device
  - Extensions

- Recommended for valves larger than DN 10"/250 and working pressures greater than 50 psi / 3.5 kg/cm<sup>2</sup>. Available from DN 8"/200 to DN 24"/600.
- Consists of:
  - Stem
  - Yoke
  - Bevel Gear Actuator with Handwheel (Standard Ratio 4:1)
  - Shaft collar
- Options:
  - Chainwheel
  - Locking Device
  - Extensions

DN ("/mm.)	A	B	C	D	E	F	J	ØG	ØK	H	I
2"/50	1,88/47,8	4,68/119	4,13/105	4,13/105	5,07/129	1,85/47	-	8,85/225	-	15,6/400	-
2,5"/65	1,96/50	5,27/134	4,13/105	4,33/110	5,74/146	1,85/47	-	8,85/225	-	13,65/395	-
3"/80	2/50,8	5,86/149	4,13/105	4,68/119	6,37/162	1,85/47	-	8,85/225	-	16,18/415	-
4"/100	2/50,8	6,29/160	4,13/105	5,47/139	7,36/187	2,63/67	-	12,20/310	-	18,72/480	-
5"/125	2,25/57,2	7,24/184	4,13/105	5,90/150	8,30/211	2,63/67	-	12,20/310	-	22,23/570	-
6"/150	2,25/57,2	8,42/214	4,13/105	6,49/165	9,33/237	2,63/67	-	12,20/310	-	23,79/610	-
8"/200	2,74/69,8	11,02/280	4,80/122	8,07/205	12,16/309	2,63/67	22,78/584	16,14/410	12/300	30,03/770	-
10"/250	2,74/69,8	13,30/338	4,80/122	9,84/250	14,33/364	2,63/67	26,68/684	16,14/410	12/300	36,66/940	-
12"/300	3/76,2	15,35/390	4,80/122	11,81/300	16,29/414	-	30,58/784	-	12/300	42,51/1090	7,87/200
14"/350	3/76,2	17,44/443	7,75/197	12,28/312	17,04/433	-	33,97/871	-	18/450	49,14/1260	8,58/218
16"/400	3,50/89	19,56/497	7,75/197	15,43/392	21,10/536	-	38,02/975	-	18/450	54,99/1410	10,31/262
18"/450	3,50/89	21,85/555	7,91/201	16,61/422	23,14/588	-	41,22/1057	-	18/450	60,06/1540	10,31/262
20"/500	4,48/114	24,52/623	7,91/201	19,09/485	25,51/648	-	46,02/1180	-	18/450	68,25/1750	10,31/262
24"/600	4,48/114	28,81/732	7,91/201	23,22/590	29,44/748	-	54,01/1385	-	18/450	78,78/2020	10,31/262

Reserves the right to change specifications without notice

**OBX 03/12 | 2nd EDITION | Revision 3**

**ORBINOX S.A.** Pol. Ind. s/n-20270 ANOETA (Spain) Tel.: +34 943 698030 - Fax: +34 943 653066 e-mail:orbinox@orbinox.com

**BT(SER.21)-5**

**ORBINOX CANADA, ORBINOX USA, ORBINOX COMERCIAL, ORBINOX UK, ORBINOX FRANCE, ORBINOX GERMANY, ORBINOX INDIA, ORBINOX CHINA, ORBINOX S.E.A.**

[www.orbinox.com](http://www.orbinox.com)

**MODEL**

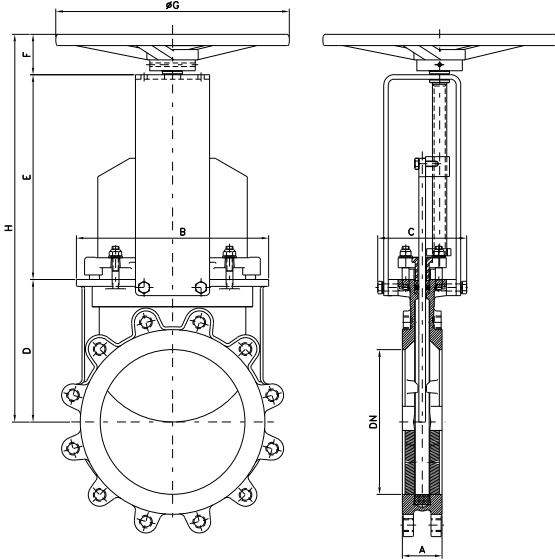
**BT**

**SERIES 21**

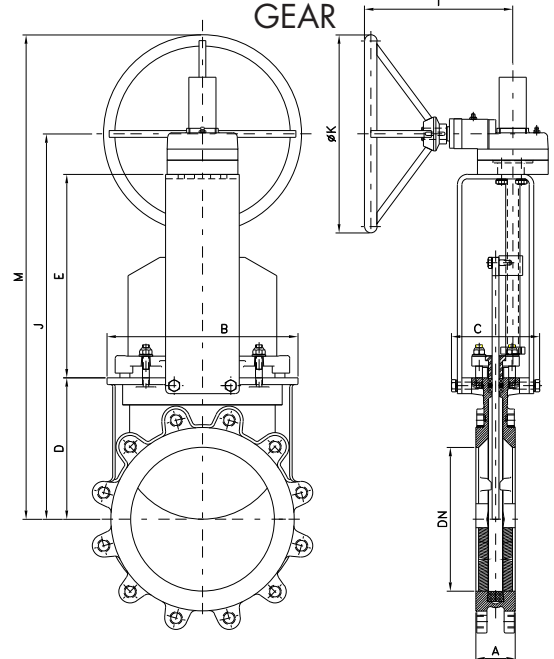


**HAND OPERATED (Non-rising stem)**

**HANDWHEEL**



**GEAR**



- Standard handwheel actuator. Available from DN 2"/50 to DN 10"/250
- Consists of:
  - Handwheel: Ductile iron
  - Stem
  - Shaft collar
  - Yoke
- Options (on request):
  - Chainwheel
  - Locking Device
  - Extensions

- Recommended for valves larger than DN 10"/250 and working pressures greater than 50 psi / 3.5 kg/cm<sup>2</sup>. Available from DN 8"/200 to DN 24"/600.
- Consists of:
  - Yoke
  - Stem
  - Bevel Gear Actuator with Handwheel (Standard Ratio 4:1)
  - Shaft collar
- Options:
  - Chainwheel
  - Locking Device
  - Extensions

DN (" /mm.)	A	B	C	D	E	F	J	ØG	ØK	H	M	I
2"/50	1,88/47,8	4,68/119	4,13/105	4,13/105	5,14/132	2,38/61	-	8,85/225	-	11,62/298	-	-
2,5"/65	1,96/50	5,27/134	4,13/105	4,33/110	5,81/149	2,38/61	-	8,85/225	-	12,48/320	-	-
3"/80	2/50,8	5,86/149	4,13/105	4,68/119	6,43/165	2,38/61	-	8,85/225	-	13,45/345	-	-
4"/100	2/50,8	6,29/160	4,13/105	5,47/139	7,41/190	2,38/61	-	12,20/310	-	15,21/390	-	-
5"/125	2,25/57,2	7,24/184	4,13/105	5,90/150	8,35/214	2,38/61	-	12,20/310	-	16,57/425	-	-
6"/150	2,25/57,2	8,42/214	4,13/105	6,49/165	9,36/240	2,38/61	-	12,20/310	-	18,17/466	-	-
8"/200	2,74/69,8	11,02/280	4,80/122	8,07/205	11,89/305	2,77/71	22,62/580	16,14/410	12/300	22,65/581	28,47/730	-
10"/250	2,74/69,8	13,30/338	4,80/122	9,84/250	14,04/360	2,77/71	23,79/610	16,14/410	12/300	26,17/67	29,64/760	-
12"/300	3/76,2	15,35/390	4,80/122	11,81/300	15,99/410	-	30,50/782	-	18/450	-	39,27/1007	7,87/200
14"/350	3/76,2	17,44/443	7,75/197	12,28/312	18,99/487	-	34,98/897	-	18/450	-	43,75/1122	8,58/218
16"/400	3,50/89	19,56/497	7,75/197	15,43/392	20,94/537	-	39,08/1002	-	18/450	-	49,80/1277	10,31/262
18"/450	3,50/89	21,85/555	7,91/201	16,61/422	22,58/579	-	41,88/1074	-	18/450	-	50,7/1300	10,31/262
20"/500	4,48/114	24,52/623	7,91/201	19,09/485	25,31/649	-	47,07/1207	-	18/450	-	55,85/1432	10,31/262
24"/600	4,48/114	28,81/732	7,91/201	23,22/590	31,70/813	-	59,67/1530	-	18/450	-	68,44/1755	10,31/262

Reserves the right to change specifications without notice

**OBX 03/12 | 2nd EDITION | Revision 3**

**ORBINOX S.A.** Pol. Ind. s/n-20270 ANOETA (Spain) Tel.: +34 943 698030 - Fax: +34 943 653066 e-mail:orbinox@orbinox.com

**BT(SER.21)-6**

**ORBINOX CANADA, ORBINOX USA, ORBINOX COMERCIAL, ORBINOX UK, ORBINOX FRANCE, ORBINOX GERMANY, ORBINOX INDIA, ORBINOX CHINA, ORBINOX S.E.A.**

[www.orbinox.com](http://www.orbinox.com)

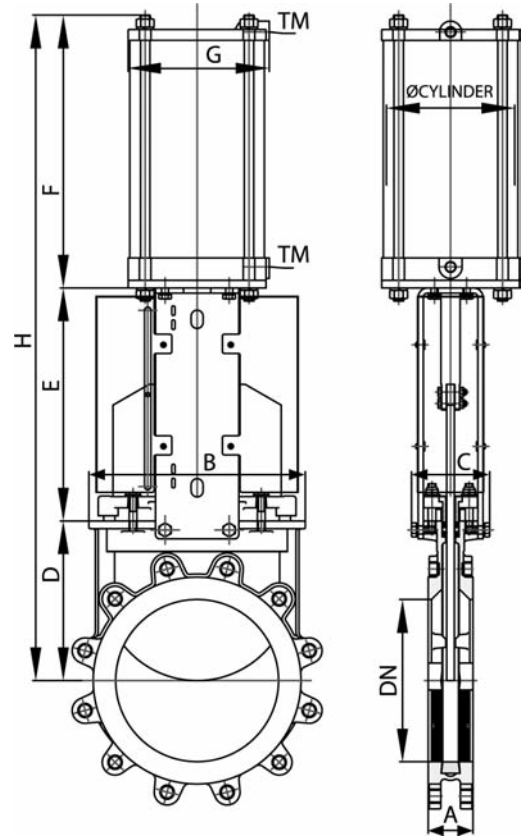
**MODEL****BT****SERIES 21**
**ORBINOX**  
 VALVE SOLUTIONS IN MORE THAN 70 COUNTRIES

## PNEUMATIC CYLINDER

- The standard pneumatic actuator (double acting on-off cylinder) consists of:

- Aluminium jacket and covers
- Stainless Steel (AISI 304) piston rod
- Nitrile coated steel piston

- Available from DN 2"/50 to DN 24"/600
- Air supply pressure: Actuator designed with 85 psi / 6 kg/cm<sup>2</sup>
- For valves installed in a horizontal position, we recommend U-type support plates and/or actuator support.
- Options:
  - Hard anodized jacket and covers
  - Over / Undersized cylinder
  - Stainless Steel jacket and covers
  - Manual override
  - Fail safe systems
  - Travel stops
- Instrumentation (on request):
  - Positioners
  - Flow regulators
  - Solenoid valves
  - Air preparation units



DN ("/mm.)	A	B	C	D	E	F	G	H	Standard Cyl	TM
2"/50	1,88/47,8	4,68/119	4,13/105	4,13/105	5,07/129	7/178	4,52/115	16,22/412	C4"-2,24"/(100-57)	1/4" G
2,5"/65	1,96/50	5,27/134	4,13/105	4,33/110	5,74/146	7,59/193	4,52/115	17,67/449	C4"-2,72"/(100-69)	1/4" G
3"/80	2/50,8	5,86/149	4,13/105	4,68/119	6,37/162	8,30/211	4,52/115	19,37/492	C4"-3,23"/(100-82)	1/4" G
4"/100	2/50,8	6,29/160	4,13/105	5,47/139	7,36/187	9,09/231	4,52/115	21,92/557	C4"-4,21"/(100-107)	1/4" G
5"/125	2,25/57,2	7,24/184	4,13/105	5,90/150	8,30/211	10,66/271	5,51/140	24,88/632	C5"-5,24"/(125-133)	1/4" G
6"/150	2,25/57,2	8,42/214	4,13/105	6,49/165	9,33/237	11,65/296	6,88/175	27,48/698	C6,24"-6,18"/(160-157)	1/4" G
8"/200	2,74/69,8	11,02/280	4,80/122	8,07/205	12,16/309	14,09/358	8,66/220	34,72/882	C8"-8,27"/(200-210)	3/8" G
10"/250	2,74/69,8	13,30/338	4,80/122	9,84/250	14,33/364	16,85/428	10,90/277	41,02/1042	C10"-10,43"/(250-265)	3/8" G
12"/300	3/76,2	15,35/390	4,80/122	11,81/300	16,29/414	18,81/478	10,90/277	46,92/1192	C10"-12,40"/(250-315)	3/8" G
14"/350	3/76,2	17,44/443	7,75/197	13,30/338	19,68/500	21,61/549	14,90/382	54,60/1387	C12"-14,29"/(300-363)	1/2" G
16"/400	3,50/89	19,56/497	7,75/197	15,43/392	21,65/550	23,58/599	17,32/444	60,66/1541	C14"-16,38"/(350-416)	3/4" G
18"/450	3,50/89	21,85/555	7,91/201	16,61/422	23,54/598	26,77/680	17,32/444	66,92/1700	C14"-18,23"/(350-463)	3/4" G
20"/500	4,48/114	24,52/623	7,91/201	19,09/485	25,66/658	28,74/730	20,08/515	73,74/1873	C16"-20,47"/(400-520)	3/4" G
24"/600	4,48/114	28,81/732	7,91/201	23,22/590	29,84/758	32,67/830	20,08/515	85,74/2178	C16"-24,41"/(400-620)	3/4" G

Reserves the right to change specifications without notice

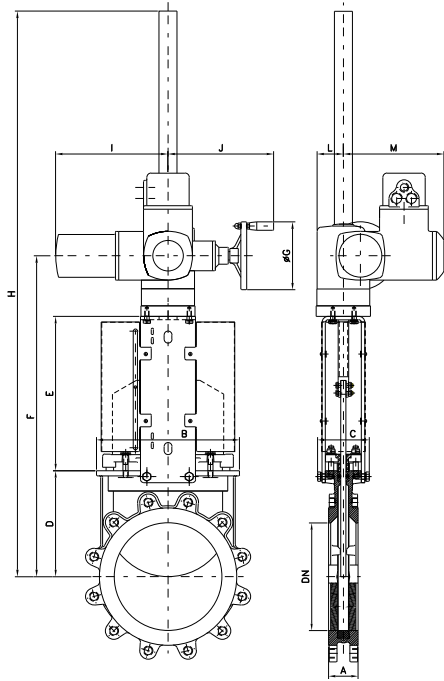
**OBX 03/12 | 2nd EDITION | Revision 3**
**ORBINOX S.A.** Pol. Ind. s/n-20270 ANOETA (Spain) Tel.: +34 943 698030 - Fax: +34 943 653066 e-mail:orbinox@orbinox.com

**BT(SER.21)-7**
**ORBINOX CANADA, ORBINOX USA, ORBINOX COMERCIAL, ORBINOX UK, ORBINOX FRANCE, ORBINOX GERMANY, ORBINOX INDIA, ORBINOX CHINA, ORBINOX S.E.A.**
[www.orbinox.com](http://www.orbinox.com)



**MODEL****BT****SERIES 21****ELECTRIC ACTUATOR (Rising stem)**

- Consists of:
  - Electric motor
  - Rising stem
  - Motor support yoke  
(Acc. to ISO 5210/DIN 3338)
- The standard electric motor is equipped with:
  - Manual emergency operation
  - Limit switches (open/closed)
  - Torque switches
- Available from DN 2"/50 to DN 24"/600
- Wide range of types and makes available to meet customer's needs.



DN (""/mm.)	A	B	C	D	E	F	ØG	H	I	J	L	M	StemØ x pitch	Torque (Nm)
2"/50	1,88/47,8	4,68/119	4,13/105	4,13/105	5,07/129	13,85/352	6,29/160	17,87/454	10,43/265	9,80/249	2,44/62	9,33/237	20 x 4	<25
2,5"/65	1,96/50	5,27/134	4,13/105	4,33/110	5,74/146	14,72/374	6,29/160	18,74/476	10,43/265	9,80/249	2,44/62	9,33/237	20 x 4	<25
3"/80	2/50,8	5,86/149	4,13/105	4,68/119	6,37/162	15,70/399	6,29/160	19,72/501	10,43/265	9,80/249	2,44/62	9,33/237	20 x 4	<25
4"/100	2/50,8	6,28/160	4,13/105	5,47/139	7,36/187	17,48/444	6,29/160	21,49/546	10,43/265	9,80/249	2,44/62	9,33/237	20 x 4	35
5"/125	2,25/57,2	7,24/184	4,13/105	5,90/150	8,30/211	18,85/479	6,29/160	22,87/581	10,43/265	9,80/249	2,44/62	9,33/237	20 x 4	40
6"/150	2,25/57,2	8,42/214	4,13/105	6,49/165	9,33/237	20,47/520	6,29/160	44,17/1122	10,43/265	9,80/249	2,44/62	9,33/237	20 x 4	45
8"/200	2,74/69,8	11,02/280	4,80/122	8,07/205	12,16/309	24,88/632	7,87/200	48,58/1234	10,43/265	9,80/249	2,44/62	9,33/237	24 x 5	55
10"/250	2,74/69,8	13,30/338	4,80/122	9,84/250	14,33/364	28,81/732	7,87/200	52,51/1334	10,43/265	9,80/249	2,44/62	9,33/237	36 x 6	70
12"/300	3/76,2	15,35/390	4,80/122	11,81/300	16,29/414	32,75/832	7,87/200	56,45/1434	10,43/265	9,80/249	2,44/62	9,33/237	36 x 6	110
14"/350	3/76,2	17,44/443	7,75/197	13,30/338	19,68/500	38,11/968	7,87/200	61,25/1556	11,10/282	10/254	2,55/65	9,72/247	36 x 6	130
16"/400	3,5/89	19,56/497	7,75/197	15,43/392	21,65/550	42,20/1072	7,87/200	65,35/1660	11,10/282	10/254	2,55/65	9,72/247	36 x 6	180
18"/450	3,5/89	21,85/555	7,91/201	16,61/422	23,54/598	45,27/1150	7,87/200	68,42/1738	11,10/282	10/254	2,55/65	9,72/247	36 x 6	270
20"/500	4,48/114	24,72/623	7,91/201	19,09/485	25,90/658	50,11/1273	7,87/200	73,26/1861	11,10/282	10/254	2,55/65	9,72/247	40 x 7	325
24"/600	4,48/114	28,81/732	7,91/201	23,22/590	29,84/758	59,96/1523	12,40/315	83,70/2126	15,11/384	9,40/239	3,54/90	11,22/285	50 x 8	450

Reserves the right to change specifications without notice

**OBX 03/12** | 2nd EDITION | Revision 3**ORBINOX S.A.** Pol. Ind. s/n-20270 ANOETA (Spain) Tel.: +34 943 698030 - Fax: +34 943 653066 e-mail:orbinox@orbinox.com

BT(SER.21)-8

**ORBINOX CANADA, ORBINOX USA, ORBINOX COMERCIAL, ORBINOX UK, ORBINOX FRANCE, ORBINOX GERMANY, ORBINOX INDIA, ORBINOX CHINA, ORBINOX S.E.A.**[www.orbinox.com](http://www.orbinox.com)



**MODEL**

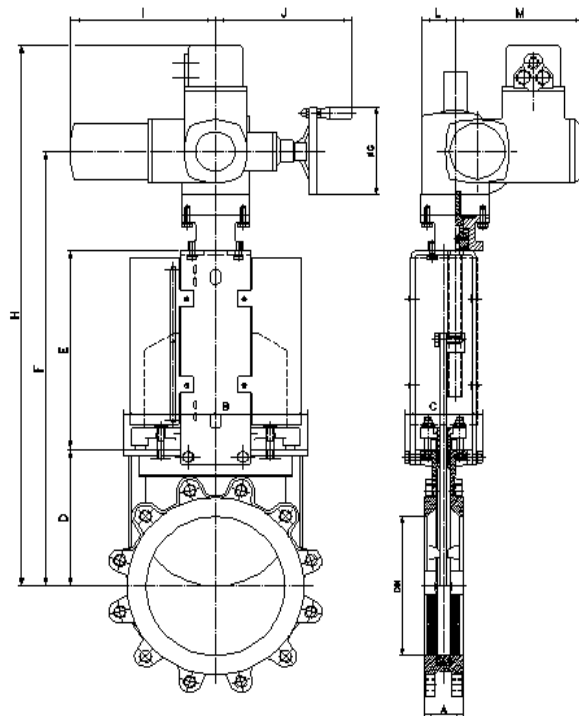
**BT**

**SERIES 21**



**ELECTRIC ACTUATOR (Non-rising stem)**

- Consists of:
  - Electric motor
  - Non-rising stem
  - Motor support yoke  
(Acc. to ISO 5210/DIN 3338)
- The standard electric motor is equipped with:
  - Manual emergency operation
  - Limit switches (open/closed)
  - Torque switches
- Available from DN 2"/50 to DN 24"/600
- Wide range of types and makes available to meet customer's needs.



DN (" /mm.)	A	B	C	D	E	F	ØG	H	I	J	L	M	Stem Ø x pitch	Torque (Nm)
2"/50	1,88/47,8	4,68/119	4,83/124	4,13/105	5,07/129	14,70/377	6,29/160	21,33/547	10,43/265	9,80/249	2,44/62	9,33/237	20 x 4	<25
2,5"/65	1,96/50	5,27/134	4,83/124	4,33/110	5,74/146	15,56/399	6,29/160	22,19/569	10,43/265	9,80/249	2,44/62	9,33/237	20 x 4	<25
3"/80	2/50,8	5,86/149	4,83/124	4,68/119	6,37/162	16,54/424	6,29/160	23,17/594	10,43/265	9,80/249	2,44/62	9,33/237	20 x 4	<25
4"/100	2/50,8	6,28/160	4,83/124	5,47/139	7,36/187	18,29/469	6,29/160	24,92/639	10,43/265	9,80/249	2,44/62	9,33/237	20 x 4	35
5"/125	2,25/57,2	7,24/184	4,83/124	5,90/150	8,30/211	19,66/504	6,29/160	26,28/674	10,43/265	9,80/249	2,44/62	9,33/237	20 x 4	40
6"/150	2,25/57,2	8,42/214	4,83/124	6,49/165	9,33/237	21,25/545	6,29/160	27,88/715	10,43/265	9,80/249	2,44/62	9,33/237	20 x 4	45
8"/200	2,74/69,8	11,02/280	5,53/142	8,07/205	12,16/309	26,13/670	7,87/200	32,76/840	10,43/265	9,80/249	2,44/62	9,33/237	24 x 5	55
10"/250	2,74/69,8	13,30/338	5,53/142	9,84/250	14,33/364	30,03/770	7,87/200	36,66/940	10,43/265	9,80/249	2,44/62	9,33/237	36 x 6	70
12"/300	3/76,2	15,35/390	5,53/142	11,81/300	16,29/414	33,93/870	7,87/200	40,56/1040	10,43/265	9,80/249	2,44/62	9,33/237	36 x 6	110
14"/350	3/76,2	17,44/443	7,75/197	13,30/338	19,68/500	39,23/1006	7,87/200	45,86/1176	11,10/282	10/254	2,55/65	9,72/247	36 x 6	130
16"/400	3,5/89	19,56/497	7,75/197	15,43/392	21,65/550	43,29/1110	7,87/200	49,92/1280	11,10/282	10/254	2,55/65	9,72/247	36 x 6	180
18"/450	3,5/89	21,85/555	7,91/201	16,61/422	23,54/598	46,33/1188	7,87/200	52,96/1358	11,10/282	10/254	2,55/65	9,72/247	36 x 6	270
20"/500	4,48/114	24,72/623	7,91/201	19,09/485	25,90/658	51,13/1311	7,87/200	57,75/1481	11,10/282	10/254	2,55/65	9,72/247	40 x 7	325
24"/600	4,48/114	28,81/732	7,91/201	23,22/590	29,84/758	63,33/1624	12,40/315	70,36/1804	15,11/384	9,40/239	3,54/90	11,22/285	50 x 8	450

Reserves the right to change specifications without notice

OBX 03/12 | 2nd EDITION | Revision 3

ORBINOX S.A. Pol. Ind. s/n-20270 ANOETA (Spain) Tel.: +34 943 698030 - Fax: +34 943 653066 e-mail:orbinox@orbinox.com

BT(SER.21)-9

ORBINOX CANADA, ORBINOX USA, ORBINOX COMERCIAL, ORBINOX UK, ORBINOX FRANCE, ORBINOX GERMANY, ORBINOX INDIA, ORBINOX CHINA, ORBINOX S.E.A.

www.orbinox.com

MODEL

**BT**

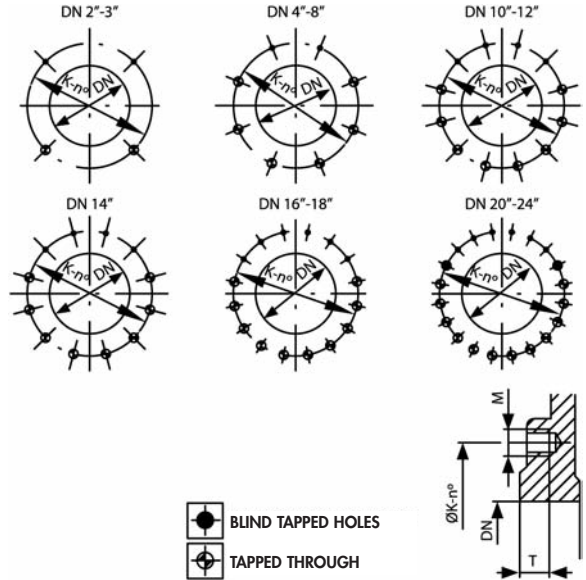
**SERIES 21**



**FLANGE AND BOLTING DETAILS**

**ANSI B16.5, class 150**

DN	K	n°	M	T	◆ ◆
2"	5"	4	5/8" UNC	11/32"	2 - 2
2,5"	5 1/2"	4	5/8" UNC	11/32"	2 - 2
3"	6"	4	5/8" UNC	11/32"	2 - 2
4"	7 1/2"	8	5/8" UNC	11/32"	2 - 6
5"	8 1/2"	8	3/4" UNC	3/8"	2 - 6
6"	9 1/2"	8	3/4" UNC	3/8"	2 - 6
8"	11 3/4"	8	3/4" UNC	3/8"	2 - 6
10"	14 1/4"	12	7/8" UNC	18/32"	4 - 8
12"	17"	12	7/8" UNC	18/32"	4 - 8
14"	18 3/4"	12	1" UNC	22/32"	4 - 8
16"	21 1/4"	16	1" UNC	22/32"	6 - 10
18"	22 3/4"	16	1 1/8" UNC	22/32"	6 - 10
20"	25"	20	1 1/8" UNC	6/8"	8 - 12
24"	29 1/2"	20	1 1/4" UNC	6/8"	8 - 12



**EN 1092-2 PN10**

DN	K	n°	M	T	◆ ◆
50	125	4	M-16	11	2 - 2
65	145	4	M-16	11	2 - 2
100	180	8	M-16	11	2 - 6
125	210	8	M-16	11	2 - 6
150	240	8	M-20	14	2 - 6
200	295	8	M-20	14	2 - 6
250	350	12	M-20	18	4 - 8
300	400	12	M-20	18	4 - 8
400	515	16	M-24	24	6 - 10
500	620	20	M-24	24	8 - 12
600	725	20	M-27	24	8 - 12

