

Elektro-Pneumatically Operated  
**Quick-Closing Valve** for gas



**Type KVII/F**

DN 65 – 300 PN 10 – 40

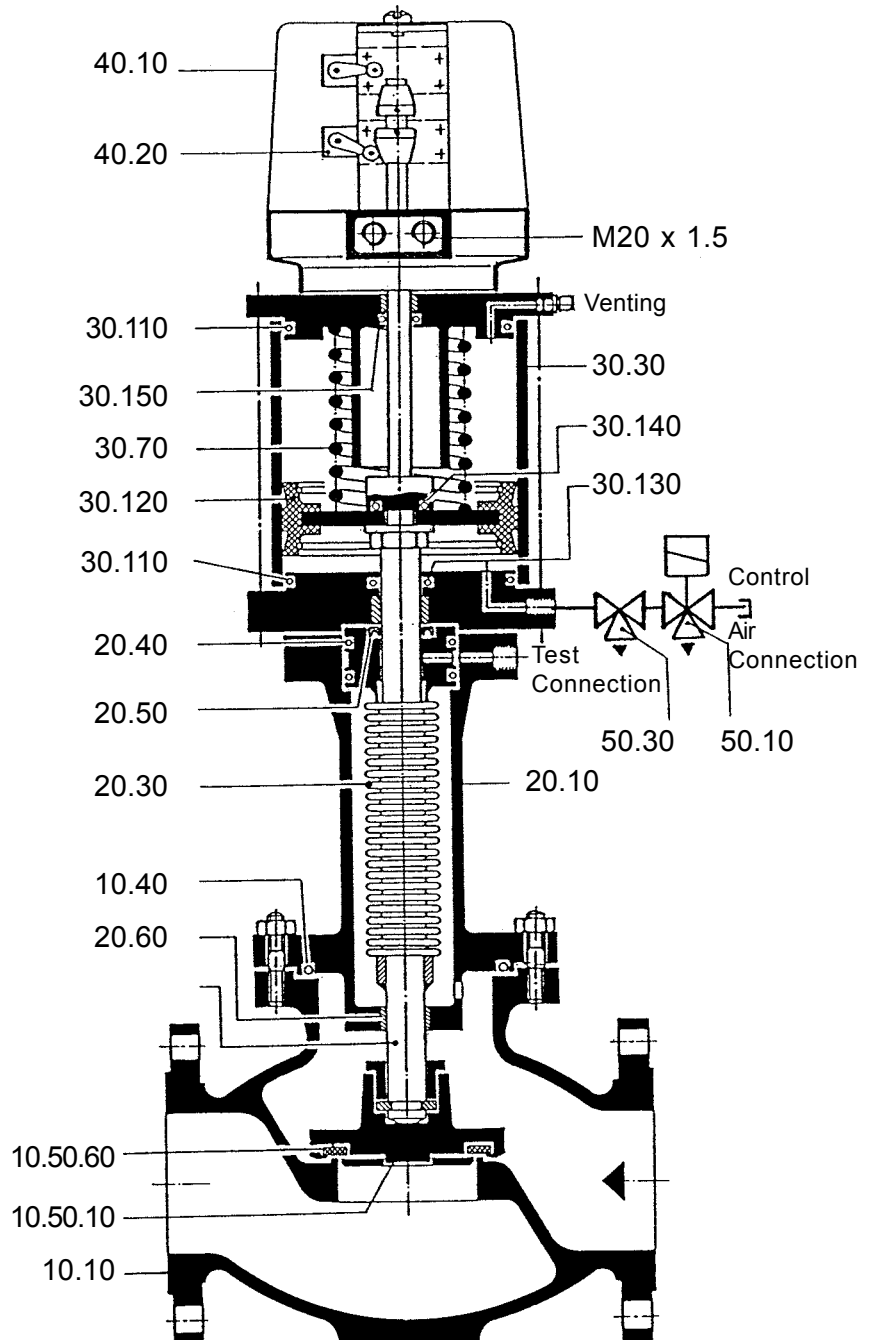
DIN EN 161 KI.A  
 DIN 3394-1 / T1 KI.A  
 German Clean Air Act

Pressure Equipment Directive 97/23/EC

CE 0035

- 10.10 Body
- \* 10.40 Body gasket
- 10.50.10 Plug
- \* 10.50.60 Plug gasket
- 20.10 Bonnet
- \* 20.30 Stem with bellow
- \* 20.40 O-ring
- \* 20.50 Lip seal
- 20.60 Guide bushing
- 30.30 Piston tube
- \* 30.70 Compression spring
- \* 30.110 O-ring
- \* 30.130 O-ring
- \* 30.120 Piston sleeve
- \* 30.140 O-ring
- \* 30.150 O-ring
- \* 40.10 Hood
- \* 40.20 Limit switch
- \* 50.10 3/2-way solenoid valve
- \* 50.30 Quick-acting vent

\* Spares



5.01\_GB\_0106\_KVII\_F\_gas

Elektro-Pneumatically Operated  
**Quick-Closing Valve** for gas



**Type KVII/F**      DN 65 – 300    PN 10 – 40

### Field of Use

Gas firing systems on steam boilers to TRD 412  
 Gas-carrying pipe systems in all sectors of industry

### Application

Automatically acting safety shut-off device in gas pipework upstream of burners, as per TRD 412, para 5.3.1  
 Shut-off device in connecting piping outside the boiler room, as per TRD 412, para 5.1  
 Automatic shut-off valve in piping systems.

### Operating Data

Medium: Gaseous fuels according to PED 97/23/EC  
 Gas to DVGW specification sheet G 260  
 Industrial fuel gas and gas  
 Other media as per material selection  
 Operat. temperature: 0 to 90 °C  
 Ambient temperature: -15 to 60 °C  
 Control medium: Compressed air at 4 to 8 bar  
 Control voltage: 230 V, 50 Hz, 24 VDC and other voltages  
 Mounting position: optional

### Valve Characteristics

Nominal diameter	DN	65	80	100	125	150	200	250	300
Adm. operating pressure	bar	10	10	10	6	6	6	3	2
$K_{VS}$ value	$m^3/h$	77	120	185	285	410	725	1140	1640
Closing time		< 1 second							

### Function

Quick closing action by spring force without compressed air as auxiliary energy, solenoid control valve in idling state  
 Valve opens by compressed air as auxiliary energy, solenoid control valve in operating state

### Certification

Registration: PIN-No. according to PED 97/23/EC  
 TÜV component tested: DIN-EN 161 Class A, up to and including 4 bar  
 DIN 3394 / T1 Class A, from > 4 to 16 bar  
 TÜV certificate: In compliance with TA-Luft (German Clean Air Act)

### Special Design Types

Hydraulic opening delay, 2-stage control,  
 Quick closing valve with control characteristic and positioner,  
 operated by the system medium

**Note:** Strainer are needed to comply with TRD 412 (see types SF and SFY)

Elektro-Pneumatically Operated  
**Quick-Closing Valve** for gas



**Type KVII/F**      DN 65 – 300      PN 10 – 40

**Technical Data**

Single-seated straight-through globe valve to DIN standard

Stem sealing to TA-Luft requirements, stainless steel bellows with additional lip seal, test connection

Flexible plug gasket with metallic supporting element

Double stem guiding system, maintenance-free

Medium flow in closing direction, gives additional sealing power

Piston actuator with integrated closing spring

**Material**

Body: GP240GH  
 Valve seat: 1.4571 armoured  
 Plug gasket: NBR  
 Bellows: 1.4541  
 Stem: 1.4021  
 Piston tube: Aluminium

**Attachment Parts**

- 1 3/2-way solenoid valve, directly actuated, pressure 0 – 8 bar
- 1 Quick-acting venting valve
- 2 Limit switches for "OPEN" and "CLOSED" positions
- 1 Protective hood, transparent, for limit switches and visual position indication

**Other materials and attachment parts available on request.**

Valve dimensions DIN PN 10 – 40

DN	mm					kg	kg SFY	L=ANSI 300 lbs
	L	D	H	H <sub>1</sub>	H <sub>2</sub>			
65	290	195	530	180	120	48	19	
*80	310	250	550	180	120	60	24	317,5
*100	350	250	560	180	120	75	35	355,6
125	400	250	680	250	180	125	51	
*150	480	250	695	250	180	170	71	444,5
*200	600	370	770	250	180	240	133	559
250	730	370	890	250	180	320	154	
300	850	370	905	250	180	400	255	

5.01\_GB\_0106\_KVII\_F\_gas

**Other Design Variants:**  
 Flanges ANSI 150 lbs. / length DIN  
 \* Flanges and length ANSI 300 lbs.  
 Welded ends

