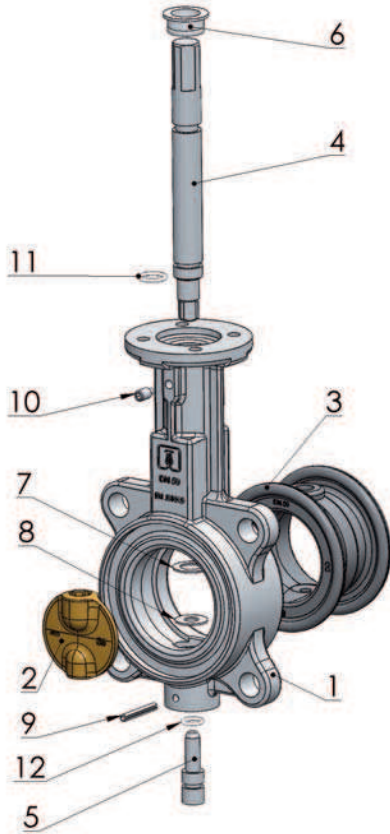


Concentric butterfly valves - Series 900

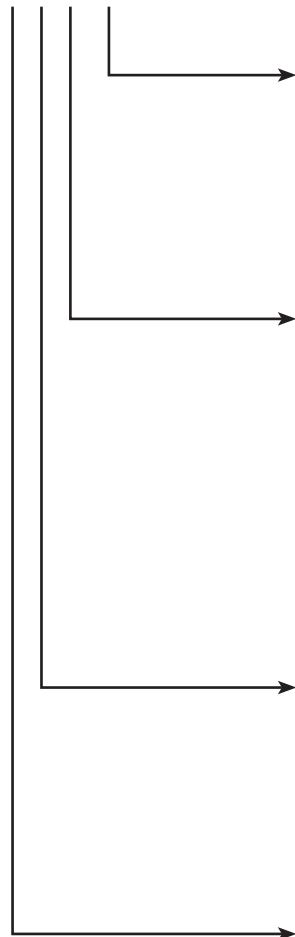
Drawing



Item	Name
1	Body
2	Disc
3	Seat
4	Shaft
5	Pivot
6	Bushing
7	Distance ring
8	Distance ring
9	Pin
10	Retaining screw
11	Shaft O-ring
12	Pivot O-ring

Codification

9 2 4 B



Version of body

B = wafer
T = lug
F = double flange

Material of disc

0 – Brass 2.0402
1 – Aluminium bronze 2.0966
2 – Stainless steel 1.4308 (CF8)
3 – Ductile iron 0.7040 (GGG40)
4 – Stainless steel 1.4408 (CF8M)
5 – HASTELLOY
6 – Stainless steel 1.4539 (Uranus B6)
7 – Titanium

Material of seat

1 – NBR
2 – EPDM
3 – Carboxylic NBR
4 – VITON (FPM)
5 – Silicone Steam
6 – Silicone (UMQ)
7 – NBR BT
8 – HYPALON® (CSM)

Series name

Series 900

Concentric butterfly valves - Series 900

Available connections

INSTALLATION BETWEEN FLANGES (DN 32-600)

Vers.		32/40	50	65	80	100	125	150	200	250	300	350	400	450	500	600
B	PN 6											•	•	•	•	•
	PN10															
	PN16													•		
	Class 150											•	•	•	•	•
T	PN 6	•	•	•	•	•	•	•	•	•	•	•	•	•	•	•
	PN10															
	PN16															
	Class 150	•	•	•	•	•	•	•	•	•	•	•	•	•	•	•

*For JIS 5K/10K, please consult with manufacturer. standard upon request

INSTALLATION BETWEEN FLANGES (DN 700 – 1600)

Vers.		700	800	900	1000	1100	1200	1300	1400	1500	1600
B	PN 6	•	•	•	•	•	•	•	•	•	•
	PN 10										
	PN 16	•	•	•	•	•	•	•	•	•	•
T	PN 6	•	•	•	•	•	•	•	•	•	•
	PN 10										
	PN 16	•	•	•	•	•	•	•	•	•	•

* For JIS 5K/10K, please consult with manufacturer. standard upon request



Torque chart (Nm)

OPERATING TORQUES UPON WORKING PRESSURE (NM)*

DN	32/40	50	65	80	100	125	150	200	250	300	350	400	450	500	600
PMA 6 bar	6	8	15	20	41	46	70	100	253	289	480	750	1180	1380	2050
PMA 10 bar	8	10	17	25	50	60	80	125	338	359	530	1200	1550	2050	2700
PMA 16 bar	10	12	20	30	59	81	100	150	427	433	580	1650	2100	2700	3750

The above mentioned torques are valid for valves with EPDM seat only, and under the condition that the working medium is liquid. While actuating the valve, the above mentioned figures should be multiplied by a coefficient of 1,2. Using a NBR seat, it is necessary to apply a coefficient of 1,8 for dimensions up to DN 300 and a coefficient of 1,32 for dimensions DN 350 and above. In case the medium is gaseous, or if it contains abrasive particles, it is necessary to apply a secondary coefficient of 1,35. If the working conditions are specific, it is recommended to discuss the selection of the actuator with the manufacturer.



Series 900 - Gas recycling application



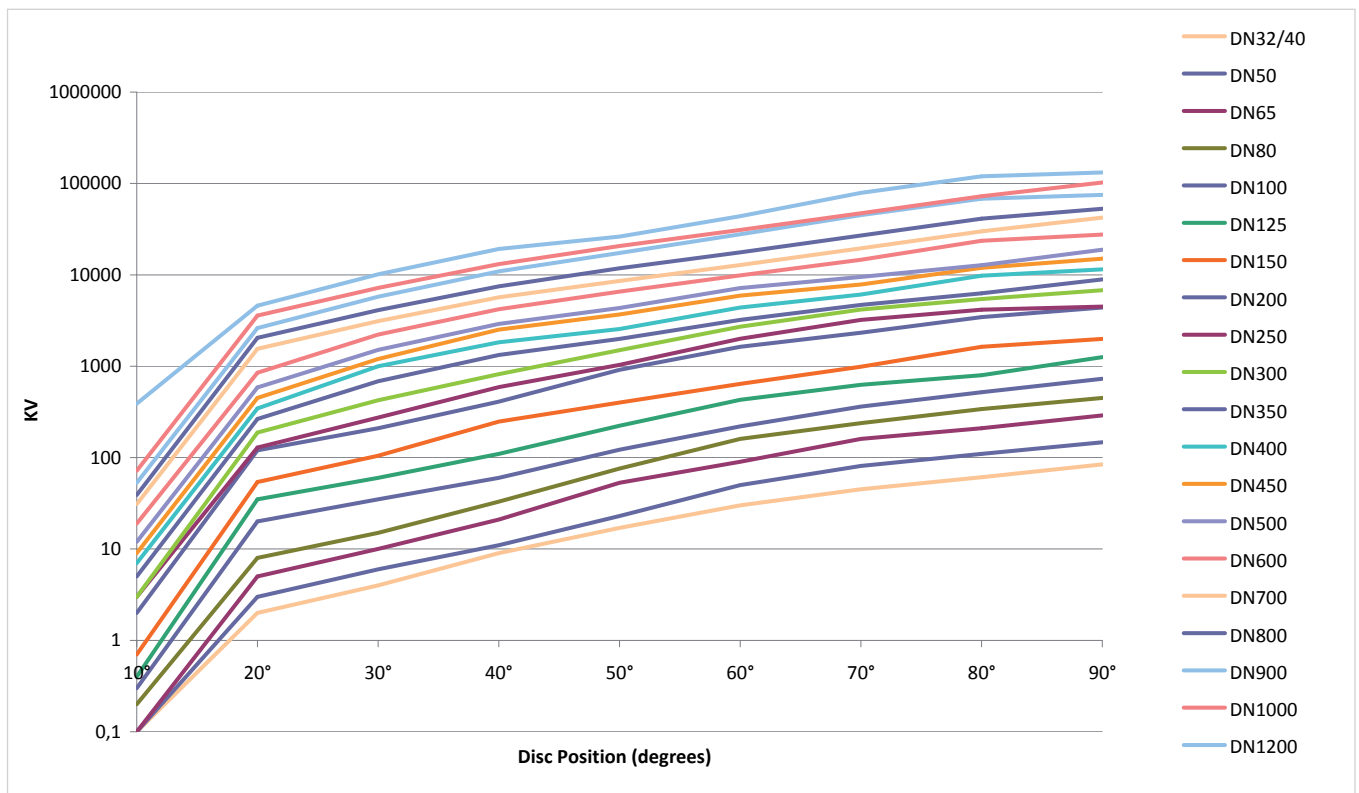
Series 900 - Biogas application

Concentric butterfly valves - Series 900

KV chart and curve

1 KV = 0,854701 CV

Valve size - DN		Disc Position (degrees)								
mm	inch	10°	20°	30°	40°	50°	60°	70°	80°	90°
32/40	1 1/2	0,1	2	4	9	17	30	45	61	84,4
50	2	0,1	3	6	11	23	50	81	110	147
65	2 1/2	0,1	5	10	21	53	90	160	210	290
80	3	0,2	8	15	33	76	160	238	340	450
100	4	0,3	20	35	60	122	220	362	520	730
125	5	0,4	35	60	110	223	430	626	797	1 260
150	6	0,7	54	105	248	400	640	987	1 630	1 990
200	8	2	120	210	410	915	1 630	2 331	3 446	4 396
250	10	3	129	274	590	1 037	2 000	3 210	4 164	4 500
300	12	3	188	424	820	1 500	2 710	4 180	5 433	6 800
350	14	5	265	685	1 327	1 990	3 214	4 690	6 292	8 900
400	16	7	345	1 000	1 825	2 550	4 383	6 090	9 779	11 500
450	18	9	449	1 200	2 518	3 680	5 929	7 840	11 925	15 000
500	20	12	586	1 511	2 909	4 340	7 167	9 508	12 762	18 800
600	24	19	847	2 217	4 203	6 560	9 863	14 614	23 621	27 600
700	28	31	1 554	3 118	5 686	8 569	12 810	19 511	29 904	42 416
800	32	39	2 045	4 105	7 486	11 815	17 633	26 902	41 231	52 776
900	36	53	2 614	5 767	10 917	17 326	27 849	44 987	68 209	74 979
1000	40	72	3 584	7 194	13 117	20 702	30 991	47 201	72 344	102 614
1200	48	390	4 597	10 146	19 195	26 221	43 873	79 092	119 966	131 962



Concentric butterfly valves - Series 900

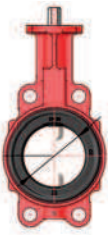
Application

Butterfly valves Series 900 are suited for many applications where tight shut-off is required, such as:

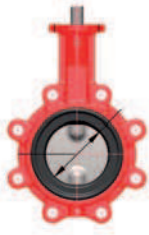
- Industrial Processing
- Water and Wastewater
- Dry Bulk Conveying
- Light Slurry Handling
- Paper Mills
- Food and Beverage
- HVAC (Heating, Ventilation & Air Conditioning)

Models

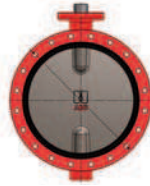
Wafer type B



Lug type T



Double flanged type (F)
For DN 700 – DN 1600



General characteristics

- Concentric design
- Shut-off and regulating device
- Split shaft
- Pivot fixed by pin allows demounting (demountable version)
- Long neck of the body according to Heating Systems Regulation standards
- Orange epoxy painting RAL 2002 - 80 µm
- Vacuum max 0,2 bar absolute
- Movement of disc ensured by four-squared endstem

Materials

Item	Name	Material
1	Body	Ductile iron 0.7040 (GGG40) epoxy coated Carbon steel 1.0446 (A216 WCB) Low carbon content steel 1.1156 (A352 LCC) Stainless steel 1.4408 (CF8M)
2	Disc	Brass 2.0402 Aluminium bronze 2.0966 Stainless steel 1.4308 (CF8) Ductile iron 0.7040 (GGG40) Stainless steel 1.4408 (CF8M), HALAR coating is an option HASTELLOY Stainless steel 1.4539 (Uranus B6) Titanium
3	Seat	NBR EPDM Carboxylic NBR VITON (FPM) Silicone Steam Silicone (UMQ) Epichlorohydrin HYPALON (CSM)
4	Shaft	Stainless steel 1.4021 (AISI 420)
5	Pivot	Stainless steel 1.4021 (AISI 420)
6	Bushing	Brass (up to DN 300) Delrin (from DN 350)
7	Distance ring	Stainless steel
8	Distance ring	Stainless steel
9	Pin	Stainless steel 1.4401 (AISI 316)
10	Retaining screw	Zinc coated steel Stainless steel
11	Shaft O-ring	NBR, EPDM is an option
12	Pivot O-ring	NBR, EPDM is an option

Standards

LEAK TEST:

- EN 12266-1, CLASS A
- ISO 5208, CLASS A
- API 598, TAB. 5

FACE TO FACE ACC.:

- EN 558, SERIES 20
- ISO 5752, SERIES 20
- API 609, TABLE 2

TOP FLANGE:

- EN ISO 5211

CONNECTION BETWEEN FLANGES:

- EN 1092-1
- DIN 2631-33
- ASME B16.5

WORKING STANDARD:

- EN 593 + A1

Coating

- Orange epoxy painting RAL 2002 - 80 µm
- Based on customer's request, higher degree of coating can be provided

Working conditions

- Temperature range: - 25°C + 150 °C (-13 °F + 302 °F), based on material selection

DN	Max. working pressure	Note to temperature
32 - 600	16 bar	When temperature of medium increases over + 120 °C (248 °F), the maximum allowed pressure falls from 16 bar to 14,4 bar
700 - 1600	10 bar (16 bar upon request)	When temperature of medium increases over + 120 °C (248 °F), the maximum allowed pressure falls from 16 bar to 14,4 bar and from 10 bar to 9 bar.

Standard and testing

- Test procedures are established according to: EN 12266-1, ISO 5208, API 598, ANSI/FCI 70-2
- Manufacture according to the requirements of the European Directive 97/23/CE – Equipment under pressure (Category III, modul B)

Actuation possibilities

- Handlever
- Manual gearbox with handwheel
- Electric actuator 24V, 230V, 400V, other upon request
- Pneumatic actuator
 - o single acting
 - o double acting



Concentric butterfly valve - Series 900 - Technical details



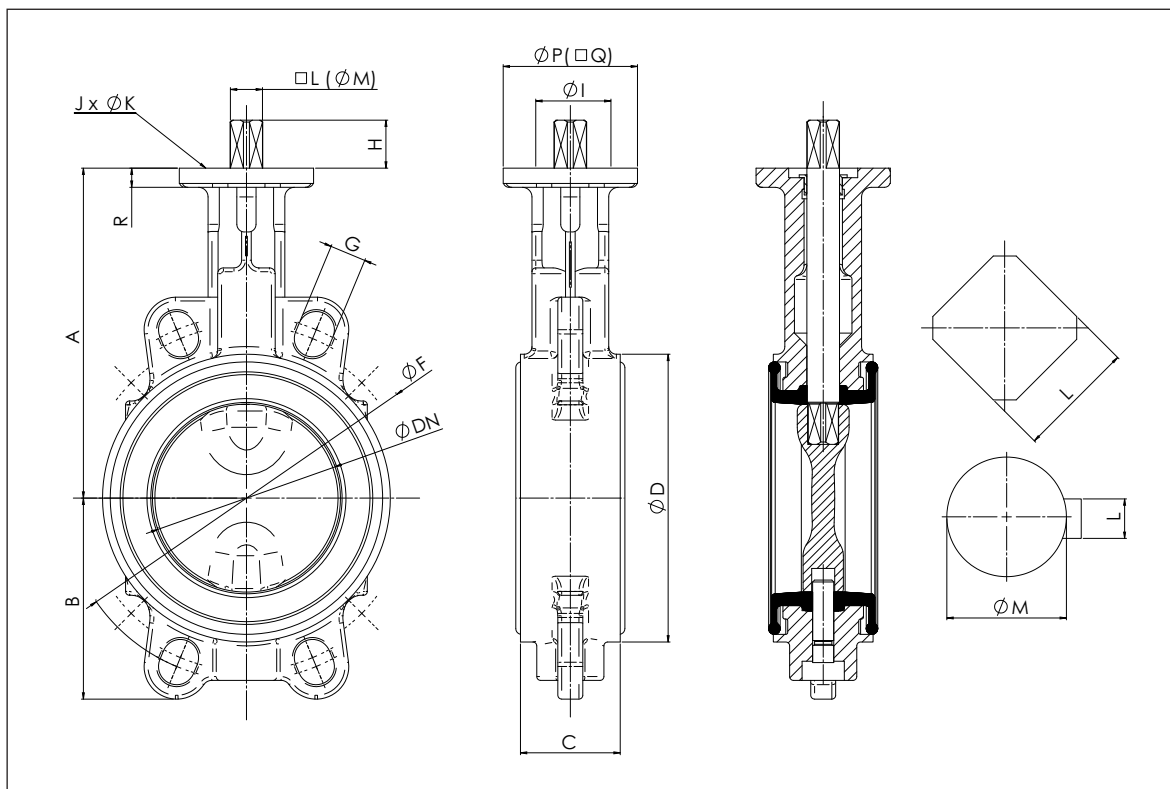
Concentric butterfly valve series 900 B

Face to face dimension:

EN 558, SERIES 20
ISO 5752, SERIES 20
API 609, TABLE 2

Actuation:

Bare shaft



DN		PN 6				PN 10			PN 16													Weight (kg)		
mm	inch	A	B	C	D	F	G	n	F	G	n	F	G	n	H	I	J	K	L	M	P		Q	R
32	1"1/4	136	54	33	78	90	14	4	100	18	4	100	18	4	25	50	4	7	14	-	-	70	8	1,9
40	1"1/2	136	54	33	78	100	14	4	110	18	4	110	18	4	25	50	4	7	14	-	-	70	8	1,9
50	2"	146	64	43	96	110	14	4	125	18	4	125	18	4	25	50	4	7	14	-	70	-	8	2,7
65	2"1/2	153,5	72	46	113	130	14	4	145	18	4	145	18	4	25	50	4	7	14	-	70	-	8	3,2
80	3"	163	89	46	128	150	14	4	160	18	8	160	18	8	25	50	4	7	14	-	70	-	8	3,7
100	4"	172,5	105	52	150	170	18	4	180	18	8	180	18	8	25	50	4	7	14	-	70	-	8	4,7
125	5"	192,5	118	56	184	200	18	4	210	22	8	210	22	8	25	70	4	9	17	-	-	75	9,5	6,7
150	6"	205	128	56	212	225	18	8	240	22	8	240	22	8	25	70	4	9	17	-	-	75	9,5	8,4
200	8"	234	166	60	268	280	18	8	295	22	12	295	22	12	25	70	4	9	17	-	-	75	14	13,3
250	10"	270	202	68	320	335	18	12	350	22	12	355	26	12	29	102	4	10,5	22	-	-	105	17	22,0
300	12"	310	237	78	378	395	18	12	400	22	12	410	26	12	29	102	4	10,5	22	-	-	105	17	29,3
350	14"	325	271	78	432	445	22	12	460	22	16	470	26	16	36	125	4	14	27	-	-	132	17	46,4
400	16"	365	314	102	483	495	22	16	515	26	16	525	30	16	36	140	4	18	27	-	-	140	21	69,8
450	18"	425	330	114	521	550	22	16	565	26	20	585	30	20	80	140	4	18	10	Ø38	175	-	22	83,0
500	20"	482	363	127	590	600	22	20	620	26	20	650	33	20	80	140	4	18	12	Ø42	175	-	22	112
600	24"	565	464	154	695	705	26	20	725	30	20	770	36	20	80	165	4	23	14	Ø50	210	-	25	216

Above mentioned dimensions are indicative only.

Concentric butterfly valve - Series 900 - Technical details



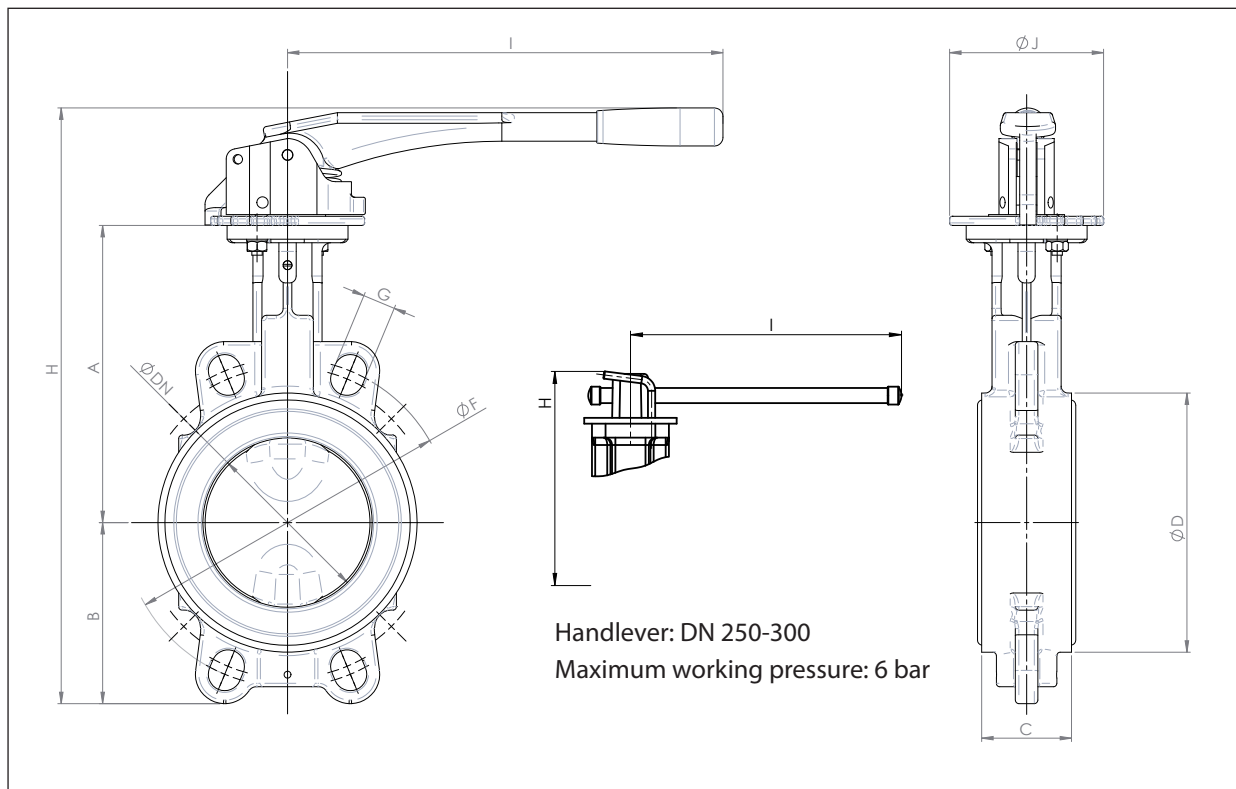
Concentric butterfly valve series 900 B

Face to face dimension:

EN 558, SERIES 20
ISO 5752, SERIES 20
API 609, TABLE 2

Actuation:

Handlever



DN		PN 6							PN 10			PN 16						Weight (kg)
mm	inch	A	B	C	D	F	G	n	F	G	n	F	G	n	H	I	J	
32	1"1/4	136	54	33	78	90	14	4	100	18	4	100	18	4	255	270	90	3,14
40	1"1/2	136	54	33	78	100	14	4	110	18	4	110	18	4	255	270	90	3,14
50	2"	146	64	43	96	110	14	4	125	18	4	125	18	4	275	270	90	3,94
65	2"1/2	153,5	72	46	113	130	14	4	145	18	4	145	18	4	290,5	270	90	4,44
80	3"	163	89	46	128	150	14	4	160	18	8	160	18	8	317	270	90	4,94
100	4"	172,5	105	52	150	170	18	4	180	18	8	180	18	8	353	270	90	5,94
125	5"	192,5	118	56	184	200	18	4	210	22	8	210	22	8	375,5	270	90	7,96
150	6"	205	128	56	212	225	18	8	240	22	8	240	22	8	401	362	90	9,8
200	8"	234	166	60	268	280	18	8	295	22	12	295	22	12	468	362	90	14,7
250	10"	270	202	68	320	335	18	12	350	22	12	355	26	12	587	450	105	24,2
300	12"	310	237	78	378	395	18	12	400	22	12	410	26	12	662	750	105	32,4

Above mentioned dimensions are indicative only.

Concentric butterfly valve - Series 900 - Technical details



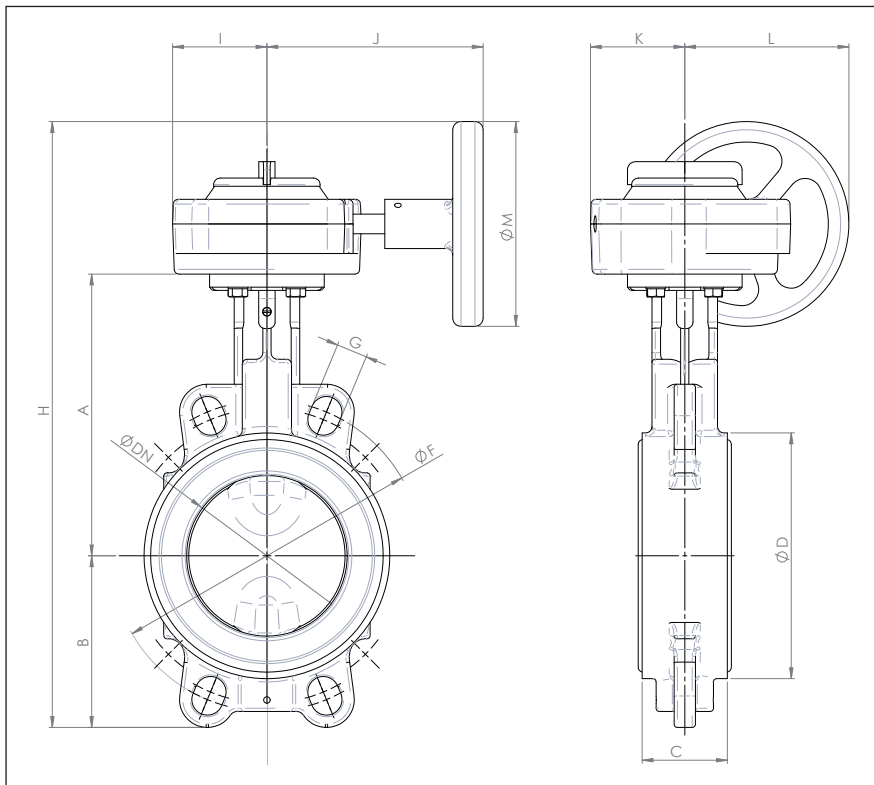
Concentric butterfly valve series 900 B

Face to face dimension:

EN 558, SERIES 20
ISO 5752, SERIES 20
API 609, TABLE 2

Actuation:

Gearbox with manual handwheel



DN		PN 6			PN 10			PN 16													
mm	inch	A	B	C	D	F	G	n	F	G	n	F	G	n	H	I	J	K	L	M	Weight (kg)
32	1"1/4	136	54	33	78	90	14	4	100	18	4	100	18	4	279	51	152	46	101	125	3,5
40	1"1/2	136	54	33	78	100	14	4	110	18	4	110	18	4	279	51	152	46	101	125	3,5
50	2"	146	64	43	96	110	14	4	125	18	4	125	18	4	299	51	152	46	101	125	4,3
65	2"1/2	153,5	72	46	113	130	14	4	145	18	4	145	18	4	314,5	51	152	46	101	125	4,8
80	3"	163	89	46	128	150	14	4	160	18	8	160	18	8	341	51	152	46	101	125	5,3
100	4"	172,5	105	52	150	170	18	4	180	18	8	180	18	8	366	51	152	46	101	125	6,3
125	5"	192,5	118	56	184	200	18	4	210	22	8	210	22	8	393,5	51	152	46	101	125	8,3
150	6"	205	128	56	212	225	18	8	240	22	8	240	22	8	422	51	152	46	101	125	10,0
200	8"	234	166	60	268	280	18	8	295	22	12	295	22	12	527	51	152	46	138,5	200	14,9
250	10"	270	202	68	320	335	18	12	350	22	12	355	26	12	627	66	254	57	177	250	25,7
300	12"	310	237	78	378	395	18	12	400	22	12	410	26	12	702	66	254	57	177	250	33,0
350	14"	325	271	78	432	445	22	12	460	22	16	470	26	16	809	83	302	72	242	350	53,0
400	16"	365	314	102	483	495	22	16	515	26	16	525	30	16	942	83	334	72	292	450	66,4
450	18"	425	330	114	521	550	22	16	565	26	20	585	30	20	1030	99	279	86	314	450	97,5
500	20"	482	363	127	590	600	22	20	620	26	20	650	33	20	1120	99	279	86	314	450	126,5
600	24"	565	464	154	695	705	26	20	725	30	20	770	36	20	1375	126	360	114	423	600	243,8

Above mentioned dimensions are indicative only.

Concentric butterfly valve - Series 900 - Technical details



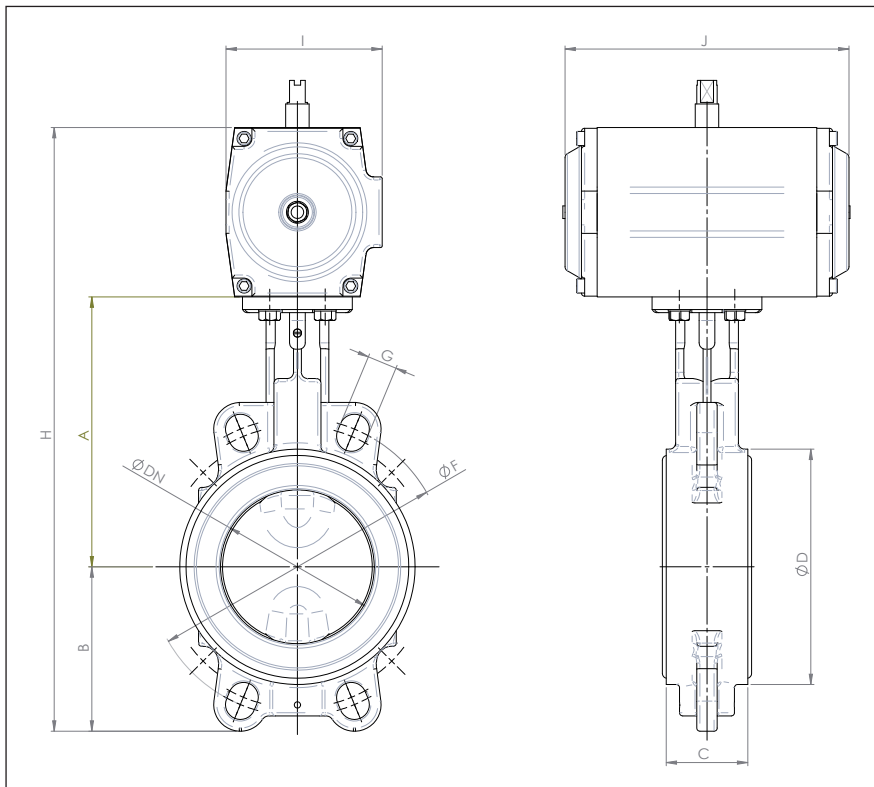
Concentric butterfly valve series 900 B

Face to face dimension:

EN 558, SERIES 20
ISO 5752, SERIES 20
API 609, TABLE 2

Actuation:

Pneumatic actuator



DN		PN 6						PN 10			PN 16			H	I	J	Weight (kg)	
mm	inch	A	B	C	D	F	G	n	F	G	n	F	G					n
32	1"1/4	136	54	33	78	90	14	4	100	18	4	100	18	4	278	80	137	3,35
40	1"1/2	136	54	33	78	100	14	4	110	18	4	110	18	4	278	80	137	3,35
50	2"	146	64	43	96	110	14	4	125	18	4	125	18	4	298	80	137	4,15
65	2"1/2	153,5	72	46	113	130	14	4	145	18	4	145	18	4	225,5	80	137	4,65
80	3"	163	89	46	128	150	14	4	160	18	8	160	18	8	340	80	137	5,15
100	4"	172,5	105	52	150	170	18	4	180	18	8	180	18	8	377,5	92,5	180	7,2
125	5"	192,5	118	56	184	200	18	4	210	22	8	210	22	8	427,5	110,5	209	10,1
150	6"	205	128	56	212	225	18	8	240	22	8	240	22	8	450	110,5	209	11,8
200	8"	234	166	60	268	280	18	8	295	22	12	295	22	12	540	120	221	18,5
250	10"	270	202	68	320	335	18	12	350	22	12	355	26	12	632	137	298	31,0
300	12"	310	237	78	378	395	18	12	400	22	12	410	26	12	745	172	332	41,72
350	14"	325	271	78	432	445	22	12	460	22	16	470	26	16	794	172	374	62,8
400	16"	365	314	102	483	495	22	16	515	26	16	525	30	16	934	224	464	101,6
450	18"	425	330	114	521	550	22	16	565	26	20	585	30	20	1057	272	603	138,5
500	20"	482	363	127	590	600	22	20	620	26	20	650	33	20	1147	272	603	181,2
600	24"	565	464	154	695	705	26	20	725	30	20	770	36	20	1386	272	683	308

Above mentioned dimensions are indicative only.

Dimensions for double acting pneumatic actuator, ppneu = 5,6 bar, medium: water, p = 10 bar, T = 20°C (68 °F).

Concentric butterfly valve - Series 900 - Technical details



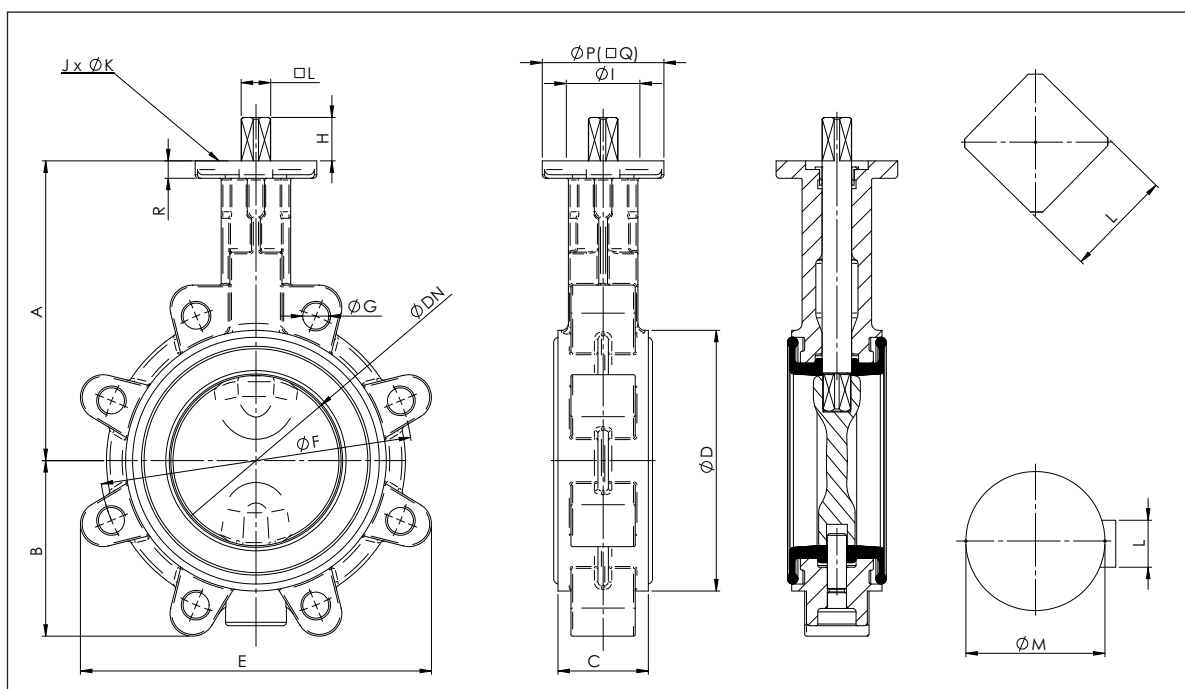
Concentric butterfly valve series 900 T

Face to face dimension:

EN 558, SERIES 20
ISO 5752, SERIES 20
API 609, TABLE 2

Actuation:

Bare shaft



DN		PN 10			PN 16																	
mm	inch	A	B	C	D	E	F	G	n	F	G	n	H	I	J	K	L	M	P	Q	R	Weight (kg)
32	1"1/4	136	54	33	78	110	100	M16	4	100	M16	4	25	50	4	7	14	-	-	70	8	2,3
40	1"1/2	136	54	33	78	110	110	M16	4	110	M16	4	25	50	4	7	14	-	-	70	8	2,3
50	2"	146	64	43	96	116	125	M16	4	125	M16	4	25	50	4	7	14	-	70	-	8	3,0
65	2"1/2	153,5	72	46	113	131	145	M16	4	145	M16	4	25	50	4	7	14	-	70	-	8	3,7
80	3"	163	89	46	128	173	160	M16	8	160	M16	8	25	50	4	7	14	-	70	-	8	4,8
100	4"	172,5	105	52	150	192	180	M16	8	180	M16	8	25	50	4	7	14	-	70	-	8	6,1
125	5"	192,5	118	56	184	235	210	M16	8	210	M16	8	25	70	4	9	17	-	-	75	9,5	9,2
150	6"	205	128	56	212	258	240	M16	8	240	M16	8	25	70	4	9	17	-	-	75	9,5	10,2
200	8"	234	166	60	268	325	295	M20	8	295	M20	12	25	70	4	9	17	-	-	75	14	15,3
250	10"	270	202	68	320	397	350	M20	12	355	M20	12	29	102	4	10,5	22	-	-	105	17	28,4
300	12"	310	237	78	378	464	400	M20	12	410	M24	12	29	102	4	10,5	22	-	-	105	17	41,2
350	14"	325	271	78	432	505	460	M20	16	470	M24	16	36	125	4	14	27	-	-	132	17	62,0
400	16"	365	314	102	483	587	515	M24	16	525	M27	16	36	140	4	18	27	-	-	140	21	96,3
450	18"	425	330	114	521	633	565	M24	20	585	M27	20	80	140	4	18	10	Ø38	175	-	22	130

Above mentioned dimensions are indicative only.

Concentric butterfly valve - Series 900 - Technical details



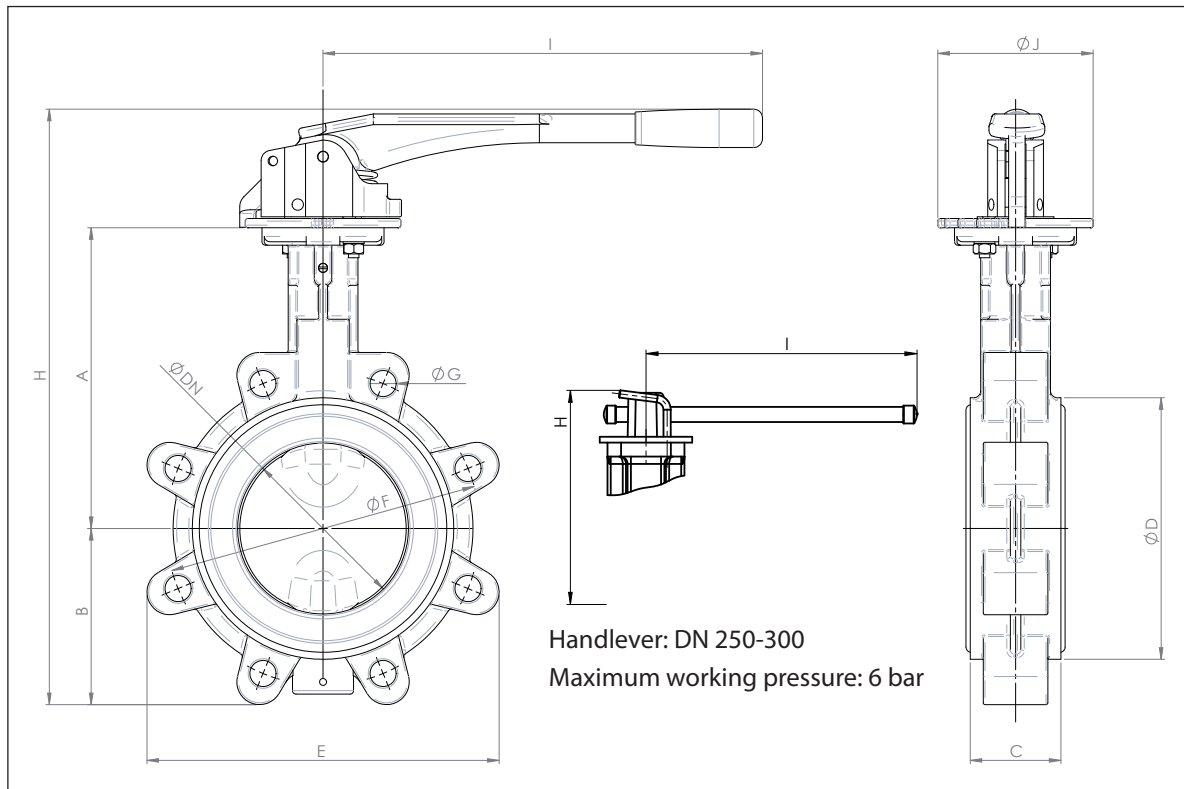
Concentric butterfly valve series 900 T

Face to face dimension:

EN 558, SERIES 20
ISO 5752, SERIES 20
API 609, TABLE 2

Actuation:

Handlever



DN		PN 10			PN 16							Weight (kg)				
mm	inch	A	B	C	D	E	F	G	n	F	G		n	H	I	J
32	1"1/4	136	54	33	78	110	100	M16	4	100	M16	4	255	270	90	3,5
40	1"1/2	136	54	33	78	110	110	M16	4	110	M16	4	255	270	90	3,5
50	2"	146	64	43	96	116	125	M16	4	125	M16	4	275	270	90	4,3
65	2"1/2	153,5	72	46	113	131	145	M16	4	145	M16	4	290,5	270	90	4,8
80	3"	163	89	46	128	173	160	M16	8	160	M16	8	317	270	90	6,0
100	4"	172,5	105	52	150	192	180	M16	8	180	M16	8	353	270	90	7,3
125	5"	192,5	118	56	184	235	210	M16	8	210	M16	8	375,5	270	90	11,1
150	6"	205	128	56	212	258	240	M16	8	240	M16	8	401	362	90	12,2
200	8"	234	166	60	268	325	295	M20	8	295	M20	12	468	362	90	16,7
250	10"	270	202	68	320	397	350	M20	12	355	M20	12	587	450	105	28,4
300	12"	310	237	78	378	464	400	M20	12	410	M24	12	662	750	105	41,2

Above mentioned dimensions are indicative only.

Concentric butterfly valve - Series 900 - Technical details



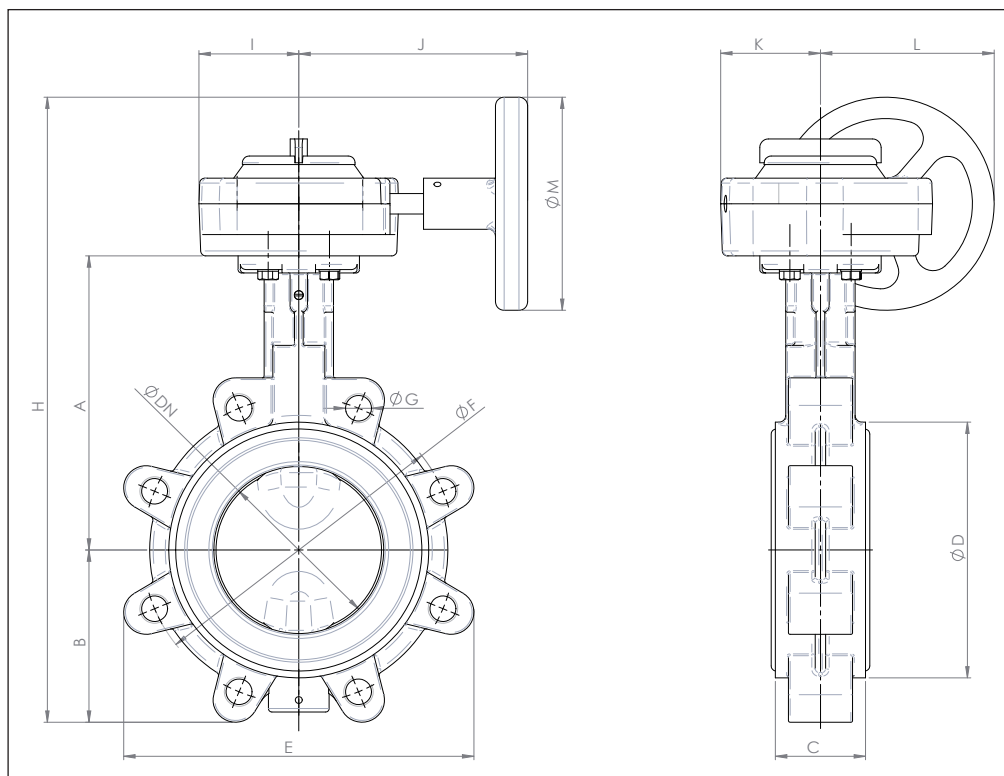
Concentric butterfly valve series 900 T

Face to face dimension:

EN 558, SERIES 20
ISO 5752, SERIES 20
API 609, TABLE 2

Actuation:

Manual gearbox with handwheel



DN		Pn 10									PN 16								
mm	inch	A	B	C	D	E	F	G	n	F	G	n	H	I	J	K	L	M	Weight (kg)
32	1"1/4	136	54	33	78	110	100	M16	4	100	M16	4	279	51	152	46	101	125	3,9
40	1"1/2	136	54	33	78	110	110	M16	4	110	M16	4	279	51	152	46	101	125	3,9
50	2"	146	64	43	96	116	125	M16	4	125	M16	4	299	51	152	46	101	125	4,9
65	2"1/2	153,5	72	46	113	131	145	M16	4	145	M16	4	314,5	51	152	46	101	125	5,3
80	3"	163	89	46	128	173	160	M16	8	160	M16	8	341	51	152	46	101	125	6,4
100	4"	172,5	105	52	150	192	180	M16	8	180	M16	8	366	51	152	46	101	125	7,7
125	5"	192,5	118	56	184	235	210	M16	8	210	M16	8	393,5	51	152	46	101	125	10,8
150	6"	205	128	56	212	258	240	M16	8	240	M16	8	422	51	152	46	101	125	11,8
200	8"	234	166	60	268	325	295	M20	8	295	M20	12	527	51	152	46	138,5	200	16,9
250	10"	270	202	68	320	397	350	M20	12	355	M20	12	627	66	254	57	177	250	32,1
300	12"	310	237	78	378	464	400	M20	12	410	M24	12	702	66	254	57	177	250	44,9
350	14"	325	271	78	432	505	460	M20	16	470	M24	16	809	83	302	72	242	350	68,6
400	16"	365	314	102	483	587	515	M24	16	525	M27	16	942	83	334	72	292	450	103
450	18"	425	330	114	521	633	565	M24	20	585	M27	20	1030	99	279	86	314	450	144,7

Above mentioned dimensions are indicative only.

Concentric butterfly valve - Series 900 - Technical details



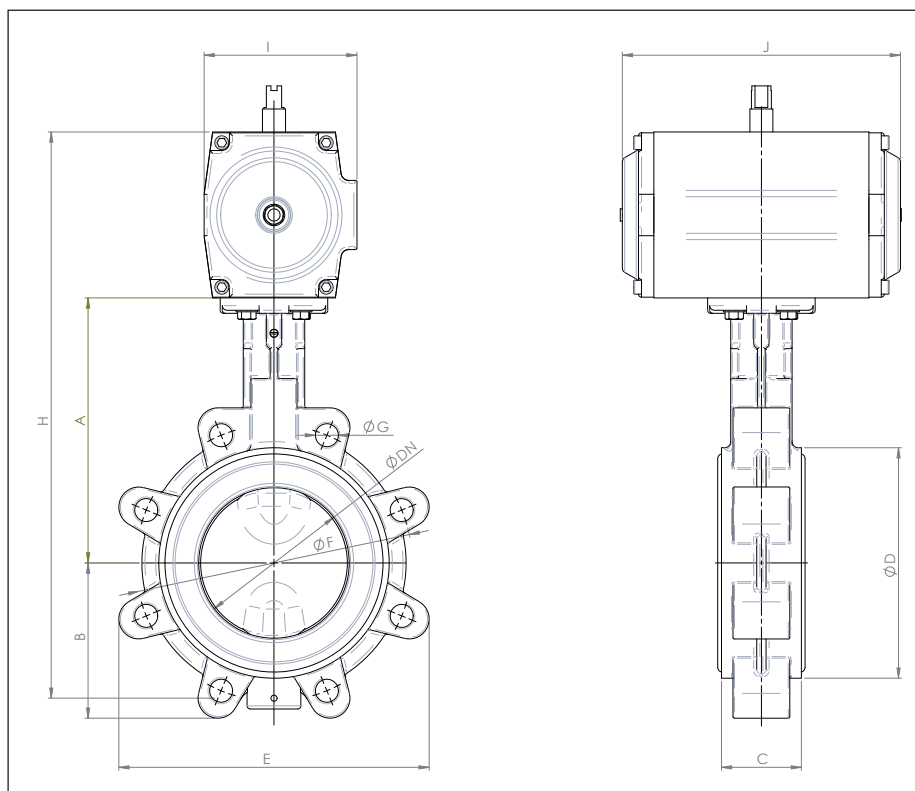
Concentric butterfly valve series 900 T

Face to face dimension:

EN 558, SERIES 20
ISO 5752, SERIES 20
API 609, TABLE 2

Actuation:

Pneumatic actuator



DN		PN 10							PN 16						Weight (kg)	
mm	inch	A	B	C	D	E	F	G	n	F	G	n	H	I		J
32	1"1/4	136	54	33	78	110	100	M16	4	100	M16	4	278	80	137	3,75
40	1"1/2	136	54	33	78	110	110	M16	4	110	M16	4	278	80	137	3,75
50	2"	146	64	43	96	116	125	M16	4	125	M16	4	298	80	137	4,45
65	2"1/2	153,5	72	46	113	131	145	M16	4	145	M16	4	225,5	80	137	5,15
80	3"	163	89	46	128	173	160	M16	8	160	M16	8	340	80	137	6,25
100	4"	172,5	105	52	150	192	180	M16	8	180	M16	8	377,5	92,5	180	8,6
125	5"	192,5	118	56	184	235	210	M16	8	210	M16	8	427,5	110,5	209	12,6
150	6"	205	128	56	212	258	240	M16	8	240	M16	8	450	110,5	209	13,6
200	8"	234	166	60	268	325	295	M20	8	295	M20	12	540	120	221	20,5
250	10"	270	202	68	320	397	350	M20	12	355	M20	12	632	137	298	37,4
300	12"	310	237	78	378	464	400	M20	12	410	M24	12	745	172	332	53,62
350	14"	325	271	78	432	505	460	M20	16	470	M24	16	794	172	374	78,4
400	16"	365	314	102	483	587	515	M24	16	525	M27	16	934	224	464	128,1
450	18"	425	330	114	521	633	565	M24	20	585	M27	20	1057	272	603	185,5

Above mentioned dimensions are indicative only.

Dimensions for double acting pneumatic actuator, ppneu = 5,6 bar, medium: water, p = 10 bar, T = 20°C (68 °F).

Concentric butterfly valve - Series 900 - Technical details



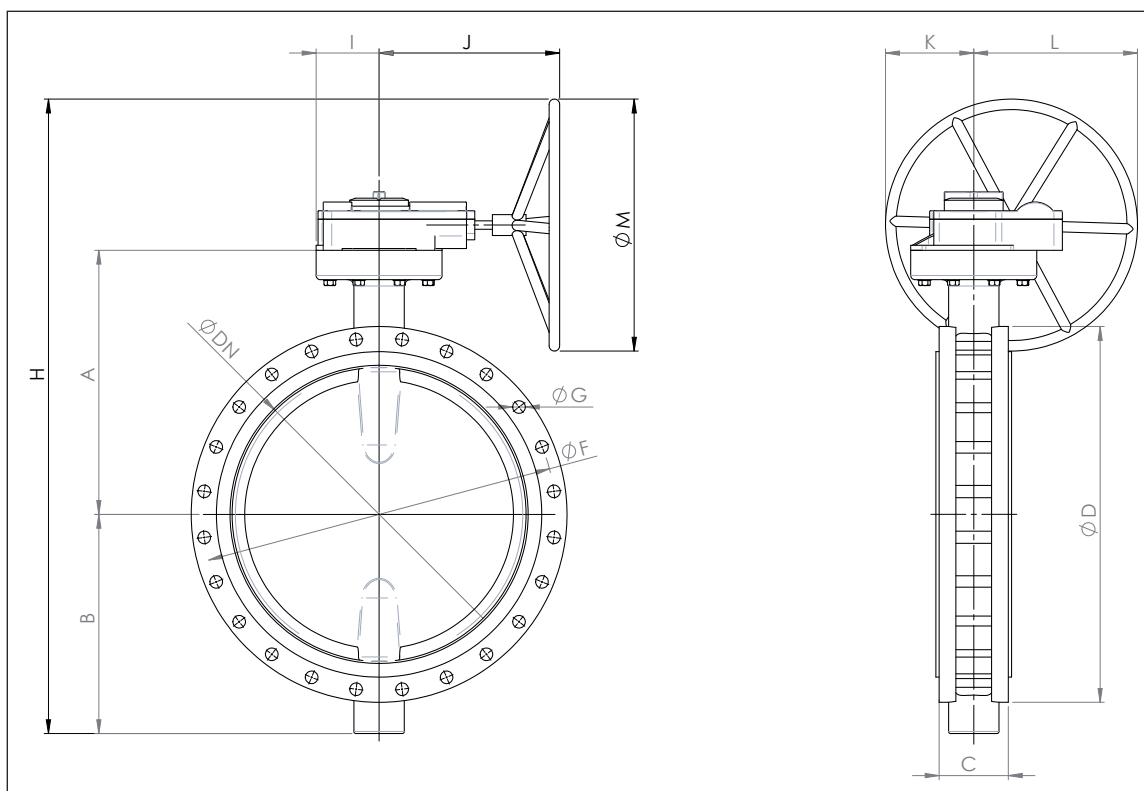
Concentric butterfly valve series 900 F

Face to face dimension (double flange version):

EN 558, SERIES 20
ISO 5752, SERIES 20
API 609, TABLE 2

Actuation:

Manual gearbox with handwheel



DN		PN 6			PN 10			PN 16			H	I	J	K	L	M	Weight (kg)				
mm	inch	A	B	C	D	F	G	n	F	G								n	F	G	n
700	28"	629	537	165	910	810	26	24	840	30	26	840	36	24	1516	185	478	210	390	600	391,2
800	32"	666	601	190	1160	920	30	24	950	33	26	950	39	24	1627	150	478	210	390	600	624,5
900	36"	720	656	203	1168	1020	30	24	1050	33	28	1050	39	28	1736	150	478	210	407	600	744,5
1000	40"	800	720	216	1289	1120	30	28	1160	36	28	1170	42	28	1905	185	513	193	407	600	934,5
1200	48"	940	844	254	1485	1340	33	32	1380	39	32	1390	48	32	2192	243	616	230	370	600	1261,5
1400	56"	1009	1014	279	1685	1560	36	36	1590	42	36	1590	48	36	2431	243	616	230	425	600	2103,5
1600	63"	1150	1045	318	1930	1760	36	40	1820	48	40	1820	52	40	2630	307	673	175	425	600	2644,5

Above mentioned dimensions are indicative only.
Dimensions for water, p = 10 bar.