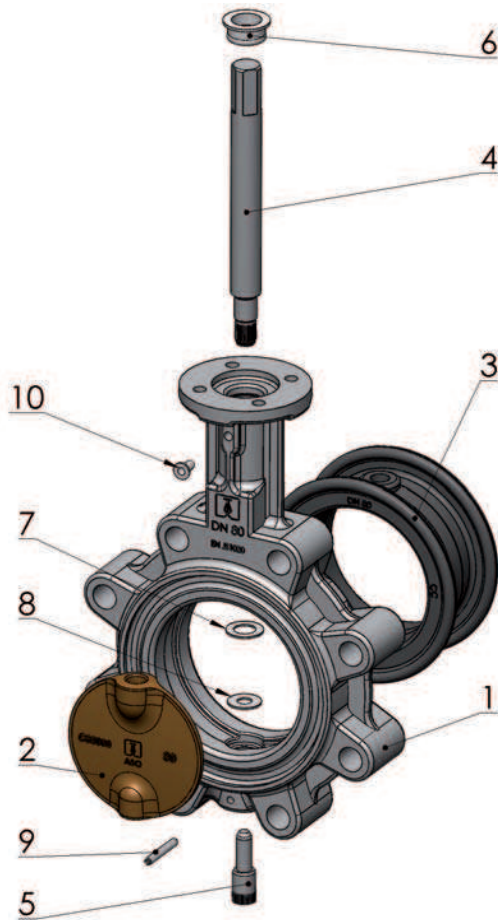


Concentric butterfly valves - Series 600

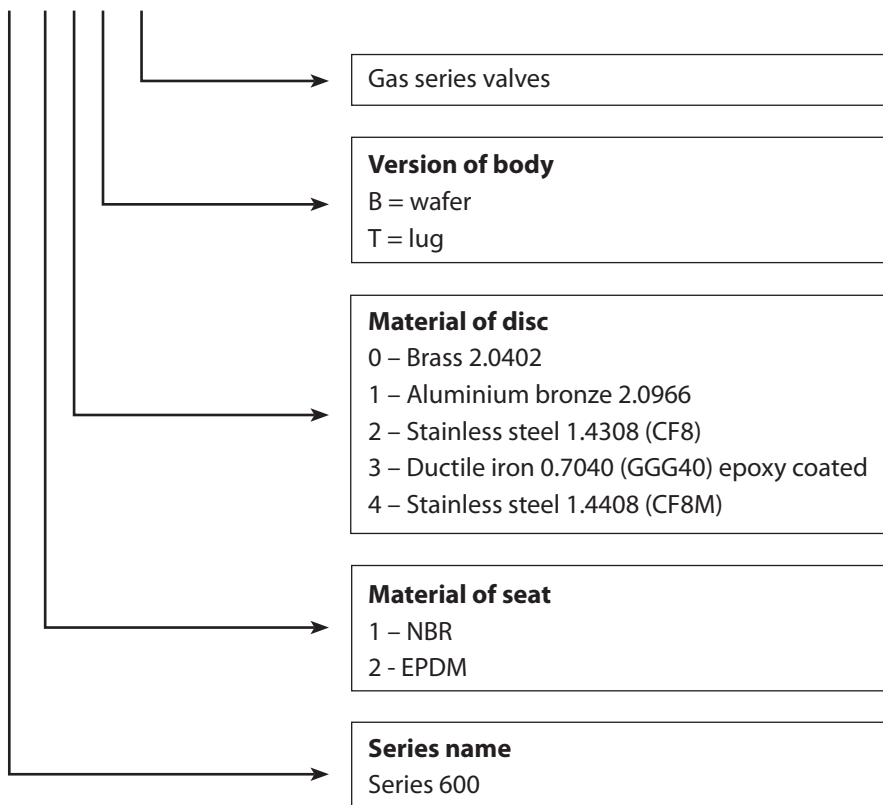
Drawing



Item	Name
1	Body
2	Disc
3	Seat
4	Shaft
5	Pivot
6	Bushing
7	Distance ring
8	Distance ring
9	Pin
10	Conical plug

Codification



6 1 0 B G



Concentric butterfly valves - Series 600

Available connections

INSTALLATION BETWEEN FLANGES (DN 32-200)

Vers.		32/40	50	65	80	100	125	150	200	
B	PN 6									standard
	PN10									
	PN16									upon request
	Class 150						•			
T	PN 6	•	•	•	•	•	•	•	•	
	PN10									
	PN16									
	Class 150	•	•	•	•	•	•	•	•	

*For JIS 5K/10K, please consult with manufacturer.



Torque chart (Nm)

OPERATING TORQUES UPON WORKING PRESSURE (NM)*

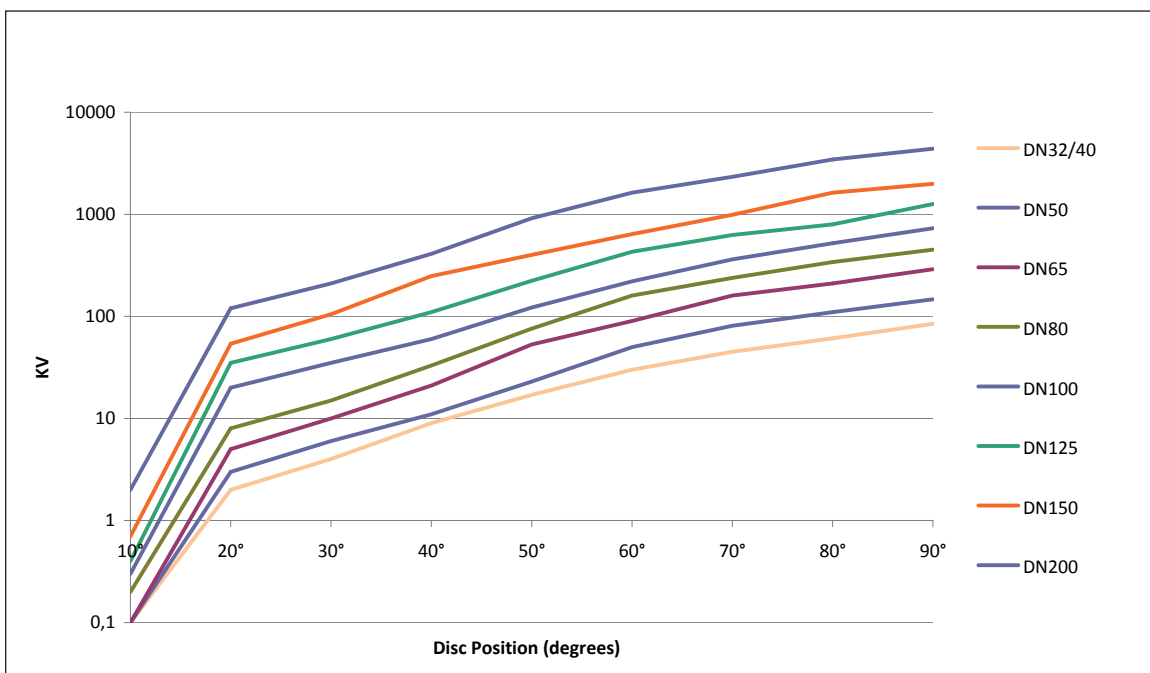
DN	32/40	50	65	80	100	125	150	200
PMA 6 bar	6	8	15	20	41	46	70	100
PMA 10 bar	8	10	17	25	50	60	80	125
PMA 16 bar	10	12	20	30	59	81	100	150

Torques mentioned above are valid for valves with EPDM seat and under the condition that the working medium is water with temperature of 20 °C (68 °F). Torque performance for other material variations and media is available upon request.

KV chart and curve

1 KV = 0,854701 CV

Valve size - DN		Disc Position (degrees)									
mm	inch	10°	20°	30°	40°	50°	60°	70°	80°	90°	
32/40	1 1/2	0,1	2	4	9	17	30	45	61	84,4	
50	2	0,1	3	6	11	23	50	81	110	147	
65	2 1/2	0,1	5	10	21	53	90	160	210	290	
80	3	0,2	8	15	33	76	160	238	340	450	
100	4	0,3	20	35	60	122	220	362	520	730	
125	5	0,4	35	60	110	223	430	626	797	1 260	
150	6	0,7	54	105	248	400	640	987	1 630	1 990	
200	8	2	120	210	410	915	1 630	2 331	3 446	4 396	



Concentric butterfly valves - Series 600

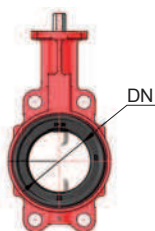
Application

Butterfly valves Series 600 are suitable for many applications where tight shut-off is required, such as:

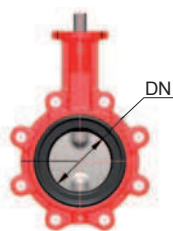
- General and industrial applications
- Potable water
- Heating
- Gas
- HVAC (Heating, Ventilation & Air Conditioning)

Models

Wafer type B



Lug type T



General characteristics

- Concentric design
- Shut-off and regulating device
- Split shaft
- Pressed connections: non - demountable version
- Long neck of the body according to Heating Systems Regulation standards
- Orange epoxy painting RAL 2002 - 80 µm
- Vacuum max 0,2 bar absolute

Materials

Item	Name	Material
1	Body	Cast iron 0.6025 (GG25) epoxy coated Version T, DN 32 - 80, DN 200: Ductile iron 0.7040 (GGG40) epoxy coated
2	Disc	Brass 2.0402 Aluminium bronze 2.0966 Stainless steel 1.4308 (CF8) Ductile iron 0.7040 (GGG40) epoxy coated Stainless steel 1.4408 (CF8M)
3	Seat	NBR EPDM
4	Shaft	Stainless steel 13% Cr
5	Pivot	Stainless steel 13% Cr
6	Bushing	Delrin
7	Distance ring	NBR (for gas)
8	Distance ring	NBR (for gas)
9	Pin	Stainless steel 1.4401 (AISI 316)
10	Conical plug	Plastic

Coating

- Orange epoxy painting RAL 2002 - 80 µm
- Based on customer's request, higher degree of coating can be provided

Standards

LEAK TEST:

- EN 12266-1, CLASS A
- ISO 5208, CLASS A
- API 598, TAB. 5

FACE TO FACE ACC.:

- EN 558, SERIES 20
- ISO 5752, SERIES 20
- API 609, TABLE 2

TOP FLANGE:

- EN ISO 5211

CONNECTION BETWEEN FLANGES:

- EN 1092-1
- DIN 2631 - 33
- ASME B16.5

WORKING STANDARD:

- EN 593 + A1

Working conditions

- Maximum working pressure: 16 bar
When temperature of medium increases over 120°C (248 °F) the max. allowed pressure falls from 16 bar to 14,4 bar
- Temperature range (based on seat material selection)
– max: - 10°C + 125 °C (14 °F + 257 °F)

Standard and testing

- Test procedures are established according to: EN 12266-1, ISO 5208
- Manufacture according to the requirements of the European Directive 97/23/CE – Equipment under pressure (Category I, modul B)

Actuation possibilities

- Handlever
- Manual gearbox with handwheel
- Electric actuator 24V, 230V, 400V, other upon request
- Pneumatic actuator
 - o single acting
 - o double acting



Concentric butterfly valves - Series 600 - Technical details



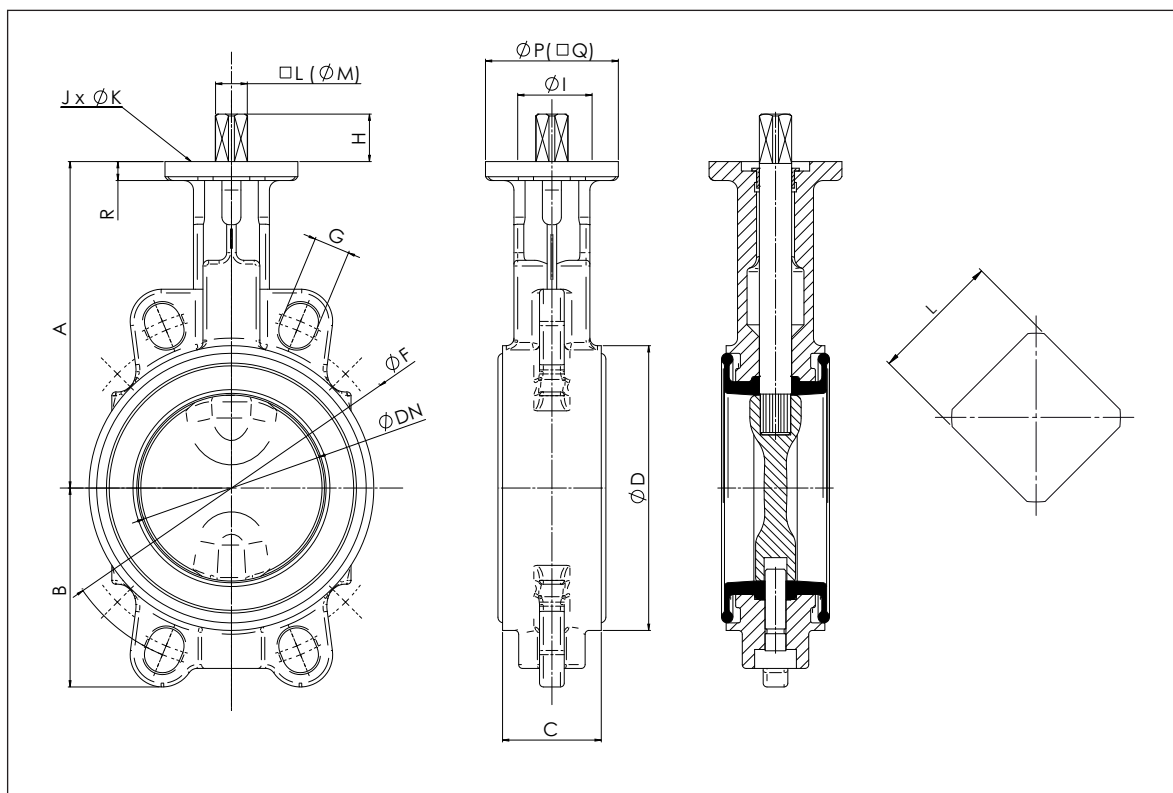
Concentric butterfly valve series 600 B

Face to face dimension:

EN 558, SERIES 20
ISO 5752, SERIES 20
API 609, TABLE 2

Actuation:

Bare shaft



DN		PN 6			PN 10			PN 16													Weight (kg)		
mm	inch	A	B	C	D	F	G	n	F	G	n	F	G	n	H	I	J	K	L	P		Q	R
32	1"1/4	136	54	33	78	90	14	4	100	18	4	100	18	4	25	50	4	7	14	-	70	8	1,9
40	1"1/2	136	54	33	78	100	14	4	110	18	4	110	18	4	25	50	4	7	14	-	70	8	1,9
50	2"	146	64	43	96	110	14	4	125	18	4	125	18	4	25	50	4	7	14	70	-	8	2,7
65	2"1/2	153,5	72	46	113	130	14	4	145	18	4	145	18	4	25	50	4	7	14	70	-	8	3,2
80	3"	163	89	46	128	150	14	4	160	18	8	160	18	8	25	50	4	7	14	70	-	8	3,7
100	4"	172,5	105	52	150	170	18	4	180	18	8	180	18	8	25	50	4	7	14	70	-	8	4,7
125	5"	192,5	118	56	184	200	18	4	210	22	8	210	22	8	25	50/70*	4	9	14	-	75	9,5	6,7
150	6"	205	128	56	212	225	18	8	240	22	8	240	22	8	25	50/70*	4	9	14	-	75	9,5	8,4
200	8"	234	166	60	268	280	18	8	295	22	8	295	22	12	25	70	4	9	17	-	75	14	13,3

* Standard version: I = 50

Above mentioned dimensions are indicative only.

Concentric butterfly valves - Series 600 - Technical details



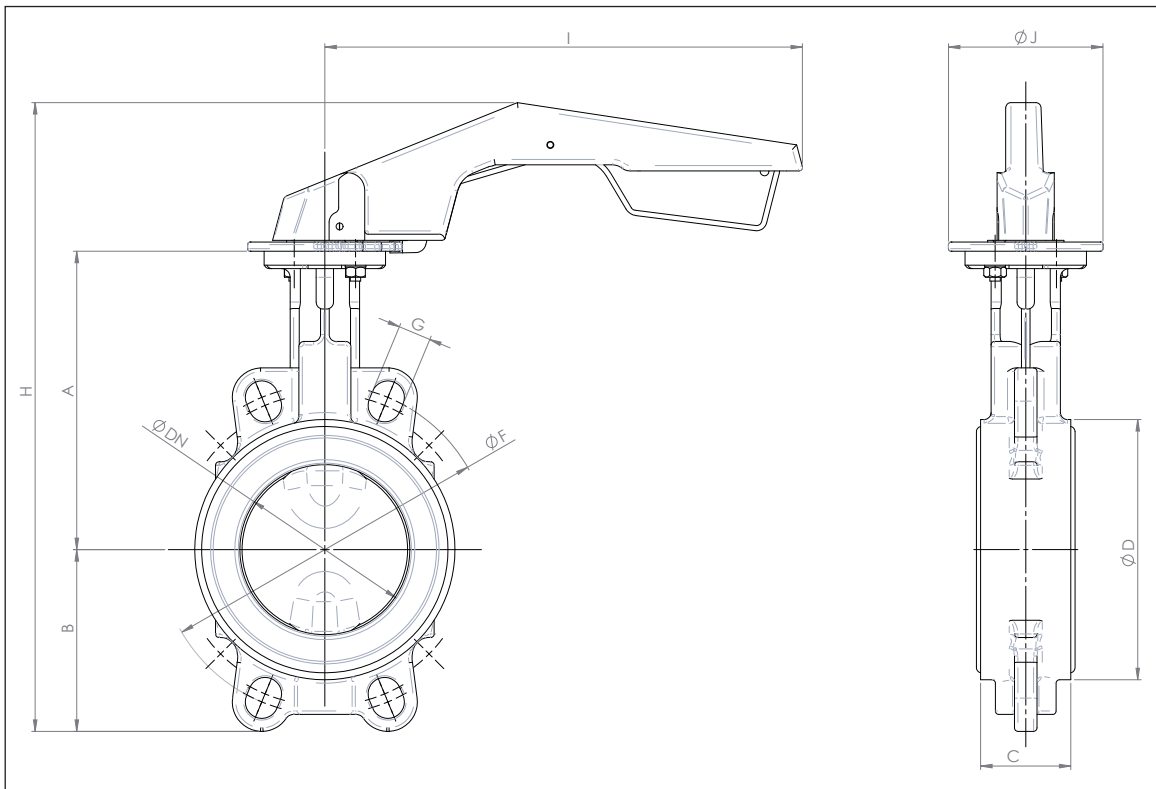
Concentric butterfly valve series 600 B

Face to face dimension:

EN 558, SERIES 20
ISO 5752, SERIES 20
API 609, TABLE 2

Actuation:

Handlever



DN		PN 6							PN 10			PN 16			H	I	J	Weight (kg)
mm	inch	A	B	C	D	F	G	n	F	G	n	F	G	n				
32	1"1/4	136	54	33	78	90	14	4	100	18	4	100	18	4	255	200	90	2,2
40	1"1/2	136	54	33	78	100	14	4	110	18	4	110	18	4	255	200	90	2,2
50	2"	146	64	43	96	110	14	4	125	18	4	125	18	4	275	200	90	3,0
65	2"1/2	153,5	72	46	113	130	14	4	145	18	4	145	18	4	290,5	200	90	3,5
80	3"	163	89	46	128	150	14	4	160	18	8	160	18	8	317	200	90	4,0
100	4"	172,5	105	52	150	170	18	4	180	18	8	180	18	8	353	273	90	5,0
125	5"	192,5	118	56	184	200	18	4	210	22	8	210	22	8	375,5	273	90	7,0
150	6"	205	128	56	212	225	18	8	240	22	8	240	22	8	401	273	90	8,7
200	8"	234	166	60	268	280	18	8	295	22	8	295	22	12	468	362*	90	14,7

Above mentioned dimensions are indicative only.

* Handlever for DN 200 - carbonsteel variant

Concentric butterfly valves - Series 600 - Technical details



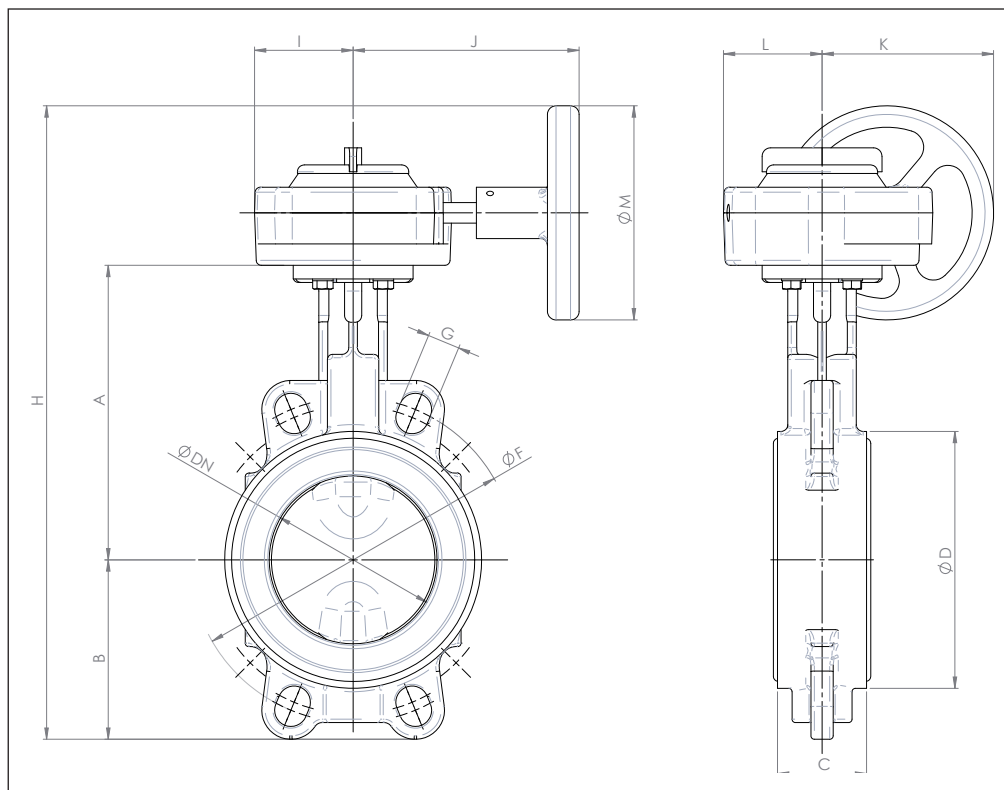
Concentric butterfly valve series 600 B

Face to face dimension:

EN 558, SERIES 20
ISO 5752, SERIES 20
API 609, TABLE 2

Actuation:

Manual gearbox with handwheel



DN		PN 6			PN 10			PN 16													
mm	inch	A	B	C	D	F	G	n	F	G	n	F	G	n	H	I	J	K	L	M	Weight (kg)
32	1"1/4	136	54	33	78	90	14	4	100	18	4	100	18	4	279	51	152	46	101	125	3,5
40	1"1/2	136	54	33	78	100	14	4	110	18	4	110	18	4	279	51	152	46	101	125	3,5
50	2"	146	64	43	96	110	14	4	125	18	4	125	18	4	299	51	152	46	101	125	4,3
65	2"1/2	153,5	72	46	113	130	14	4	145	18	4	145	18	4	314,5	51	152	46	101	125	4,8
80	3"	163	89	46	128	150	14	4	160	18	8	160	18	8	341	51	152	46	101	125	5,3
100	4"	172,5	105	52	150	170	18	4	180	18	8	180	18	8	366	51	152	46	101	125	6,3
125	5"	192,5	118	56	184	200	18	4	210	22	8	210	22	8	399,5	51	152	46	101	125	8,3
150	6"	205	128	56	212	225	18	8	240	22	8	240	22	8	422	51	152	46	101	125	10,2
200	8"	234	166	60	268	280	18	8	295	22	8	295	22	12	527	51	185	46	138,5	200	14,9

Above mentioned dimensions are indicative only.

Concentric butterfly valves - Series 600 - Technical details



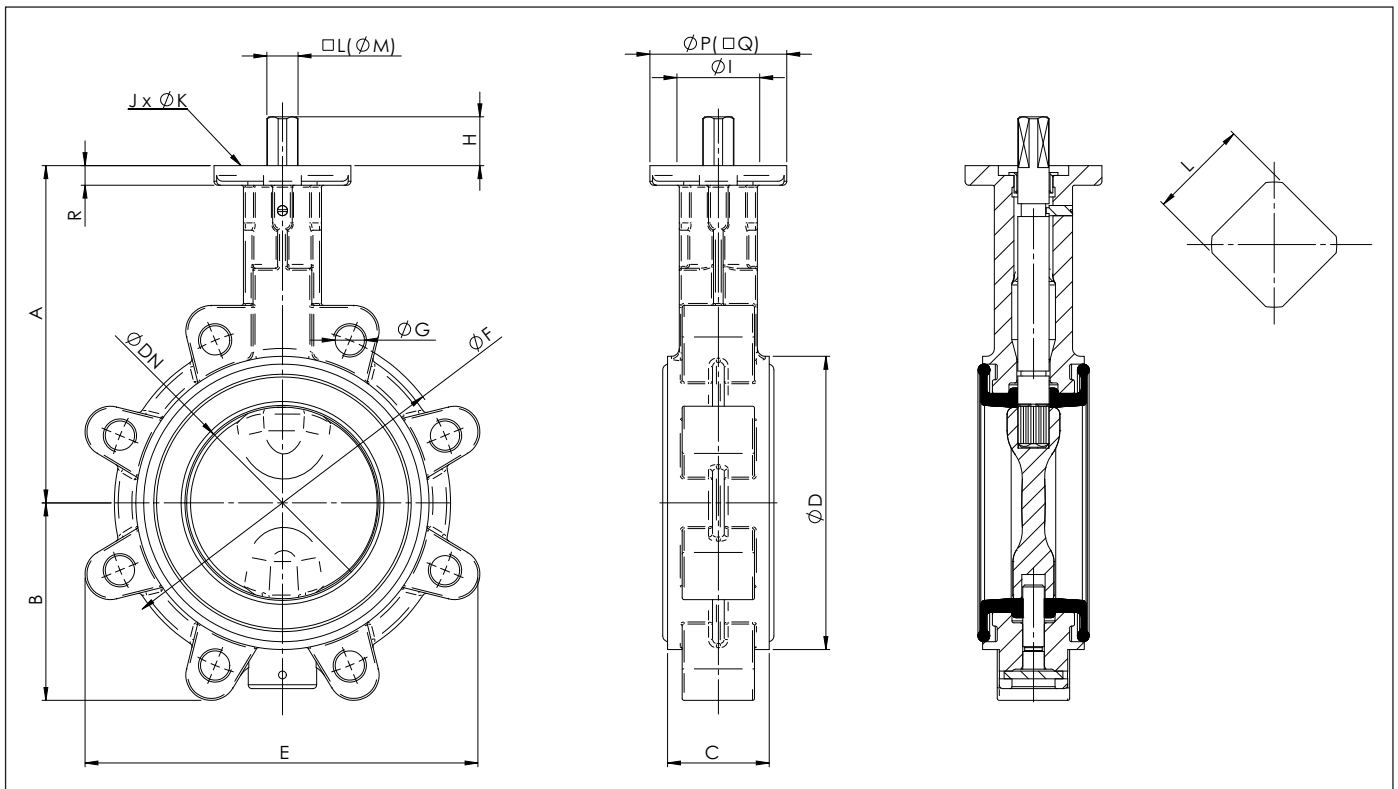
Concentric butterfly valve series 600 T

Face to face dimension:

EN 558, SERIES 20
ISO 5752, SERIES 20
API 609, TABLE 2

Actuation:

Bare shaft



DN		PN 10			PN 16																
mm	inch	A	B	C	D	E	F	G	n	F	G	n	H	I	J	K	L	P	Q	R	Weight (kg)
32	1"1/4	136	54	33	78	110	100	M16	4	100	M16	4	25	50	4	7	14	-	70	8	2,3
40	1"1/2	136	54	33	78	110	110	M16	4	110	M16	4	25	50	4	7	14	-	70	8	2,3
50	2"	146	64	43	96	116	125	M16	4	125	M16	4	25	50	4	7	14	70	-	8	3,0
65	2"1/2	153,5	72	46	113	131	145	M16	4	145	M16	4	25	50	4	7	14	70	-	8	3,7
80	3"	163	89	46	128	173	160	M16	8	160	M16	8	25	50	4	7	14	70	-	8	4,8
100	4"	172,5	105	52	150	192	180	M16	8	180	M16	8	25	50	4	7	14	70	-	8	6,1
125	5"	192,5	118	56	184	235	210	M16	8	210	M16	8	25	50/70*	4	9	14	-	75	9,5	9,2
150	6"	205	128	56	212	258	240	M16	8	240	M16	8	25	50/70*	4	9	14	-	75	9,5	10,2
200	8"	234	166	60	268	325	295	M20	8	295	M20	12	25	70	4	9	17	-	75	14	15,3

*Standard version: I = 70

Above mentioned dimensions are indicative only.

Concentric butterfly valves - Series 600 - Technical details



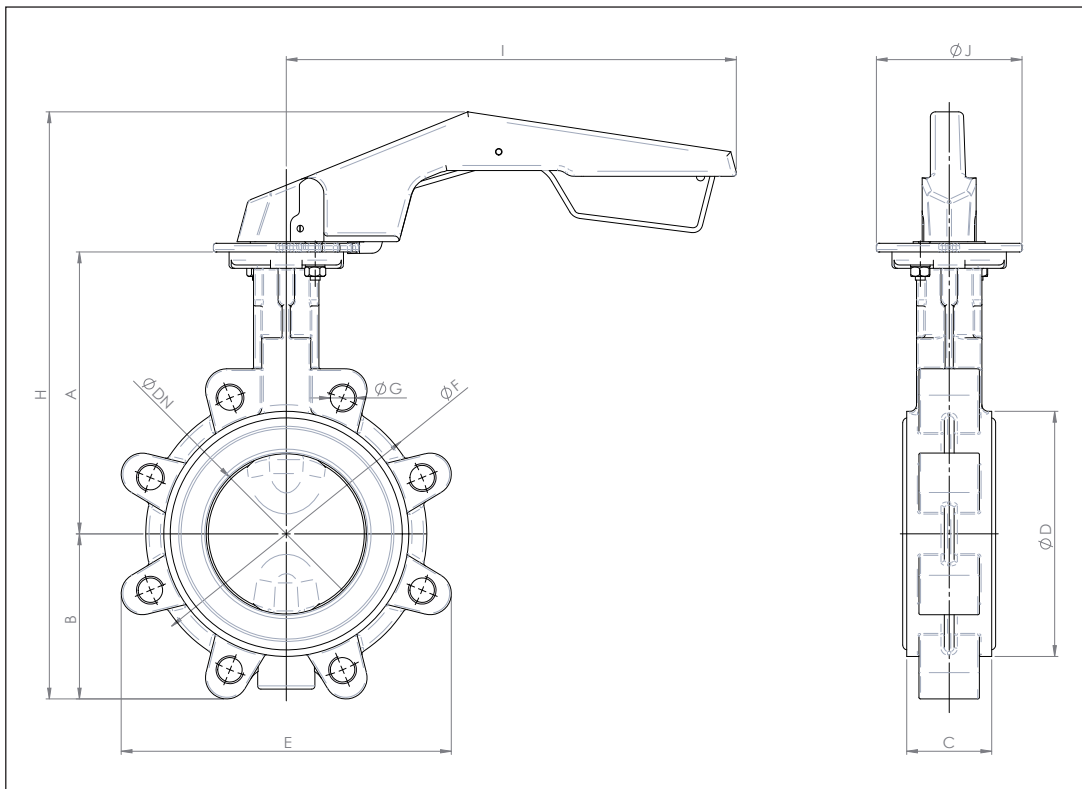
Concentric butterfly valve series 600 T

Face to face dimension:

EN 558, SERIES 20
ISO 5752, SERIES 20
API 609, TABLE 2

Actuation:

Handlever



DN		PN 10									PN 16			Weight (kg)		
mm	inch	A	B	C	D	E	F	G	n	F	G	n	H		I	J
32	1"1/4	136	54	33	78	110	100	M16	4	100	M16	4	255	200	90	2,6
40	1"1/2	136	54	33	78	110	110	M16	4	110	M16	4	255	200	90	2,6
50	2"	146	64	43	96	116	125	M16	4	125	M16	4	275	200	90	3,4
65	2"1/2	153,5	72	46	113	131	145	M16	4	145	M16	4	290,5	200	90	4,0
80	3"	163	89	46	128	173	160	M16	8	160	M16	8	317	200	90	5,1
100	4"	172,5	105	52	150	192	180	M16	8	180	M16	8	366	273	90	6,5
125	5"	192,5	118	56	184	235	210	M16	8	210	M16	8	375,5	273	90	9,6
150	6"	205	128	56	212	258	240	M16	8	240	M16	8	401	273	90	10,6
200	8"	234	166	60	268	325	295	M20	8	295	M20	12	468	362*	90	16,7

Above mentioned dimensions are indicative only.

* Handlever for DN 200 - carbonsteel variant

Concentric butterfly valves - Series 600 - Technical details



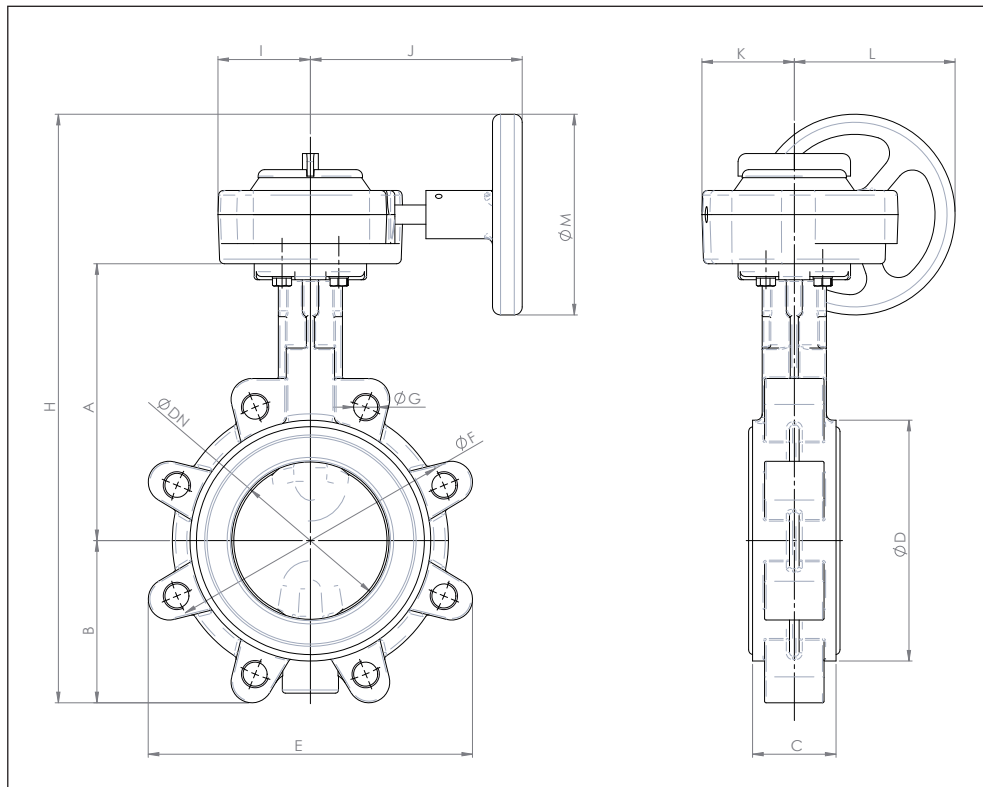
Concentric butterfly valve series 600 T

Face to face dimension:

EN 558, SERIES 20
ISO 5752, SERIES 20
API 609, TABLE 2

Actuation:

Manual gearbox with handwheel



DN		PN 10			PN 16														
mm	inch	A	B	C	D	E	F	G	n	F	G	n	H	I	J	K	L	M	Weight (kg)
32	1"1/4	136	54	33	78	110	100	M16	4	100	M16	4	279	51	152	46	101	125	3,9
40	1"1/2	136	54	33	78	110	110	M16	4	110	M16	4	279	51	152	46	101	125	3,9
50	2"	146	64	43	96	116	125	M16	4	125	M16	4	299	51	152	46	101	125	4,6
65	2"1/2	153,5	72	46	113	131	145	M16	4	145	M16	4	314,5	51	152	46	101	125	5,3
80	3"	163	89	46	128	173	160	M16	8	160	M16	8	341	51	152	46	101	125	6,4
100	4"	172,5	105	52	150	192	180	M16	8	180	M16	8	366	51	152	46	101	125	7,7
125	5"	192,5	118	56	184	235	210	M16	8	210	M16	8	399,5	51	152	46	101	125	10,8
150	6"	205	128	56	212	258	240	M16	8	240	M16	8	422	51	152	46	101	125	11,8
200	8"	234	166	60	268	325	295	M20	8	295	M20	12	527	51	185	46	138,5	200	17,0

Above mentioned dimensions are indicative only.