

100142_STANDARD SEALS_BUTT-WELDING IN ACCORDING TO DIN 11850



TWO-way ball valve

Drive: Inox lever

Connection: Butt-welding in according to DIN 11850

Flow: Full

Material: Aisi 316L (1.4404)

Measure: from DN10 to DN100

Seals: Modified Virgin P.T.F.E.

Operating temperature: -20°C+170°C

Outer finish: Polished

On request:

Antistatic device ATEX II 2 G-D T4 zone 1-21

M.O.C.A. CE 1935/2004

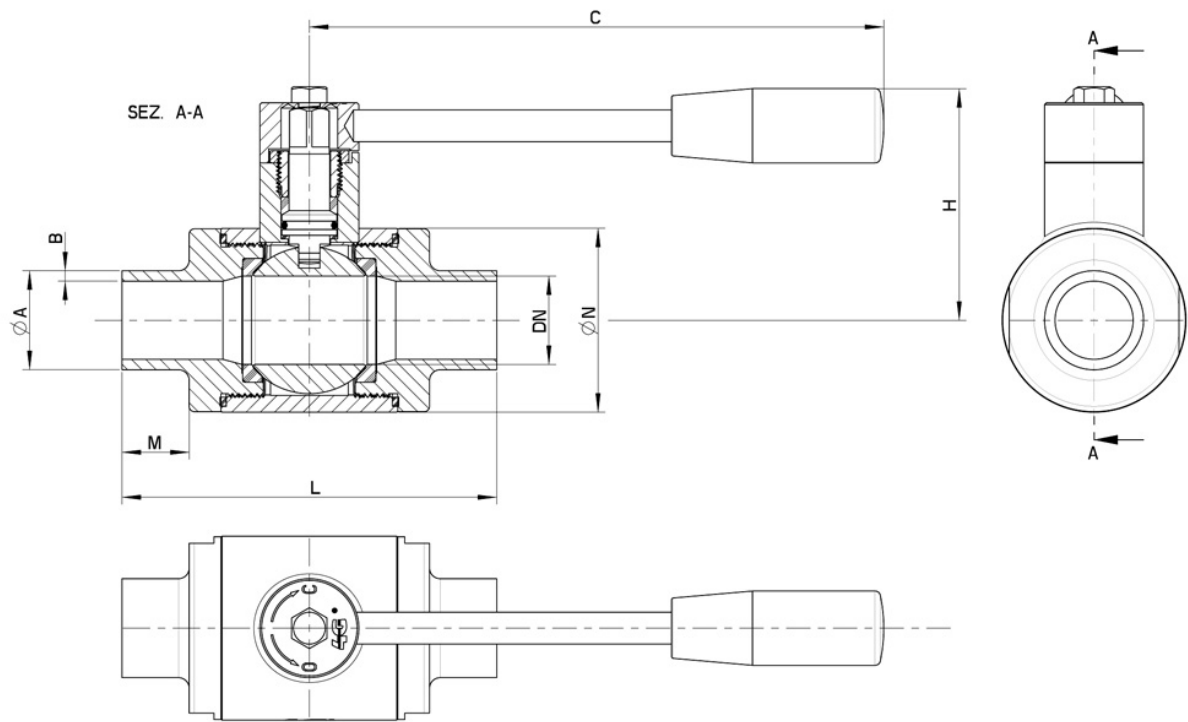
• Seals made of:

PTFE with glass -20°C+170°C

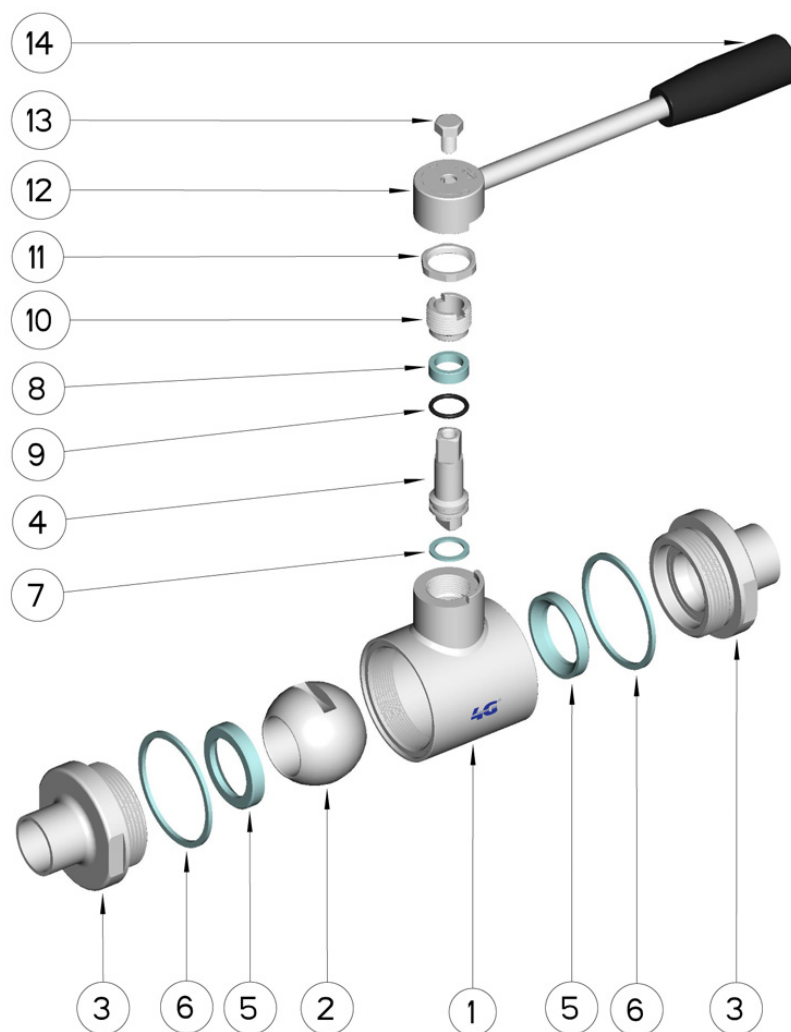
PTFE with carbographite -20°C+180°C

PTFE with inox -20°C+200°C

UHMW High-molecular weight polyethylene -20°C+80°C



DN	L	C	H	Ø N	M	ØA x B	PN	Kg	COD. AISI 316L
10	88	110	55	30	16	13 x 1,5	100	--	100142 6B110
15	92	110	55	35	16	19 x 1,5	100	0,50	100142 6B810
20	102	110	60	42	18	23 x 1,5	100	0,64	100142 6C510
25	106	160	70	52	19	29 x 1,5	64	1,08	100142 6F510
32	112	160	80	32	19	35 x 1,5	64	--	100142 6J510
40	126	190	95	73	19	41 x 1,5	64	2,30	100142 6K910
50	136	190	100	88	19	53 x 1,5	40	3,34	100142 6N910
65	154	220	110	113	21	70 x 2	40	6,02	100142 6S610
80	184	285	130	135	27	85 x 2	40	8,585	100142 6W410
100	190	310	150	167	27	104 x 2	25	13,08	100142 6X810



POS.	DENOMINATION	PCS	MAT.
1	Body	1	AISI 316L
2	Ball	1	AISI 316L
3	Sleeves	2	AISI 316L
4	Stem	1	AISI 316L
5	Ball seals	2	PTFE
6	Sleeve seals	2	PTFE
7	Stem seal	1	PTFE
8	Stem seal	1	PTFE
9	Stem or-seal	1	FKM
10	Register ring	1	AISI 304L (303)
11	Nut	1	AISI 304L
12	Washer	1	AISI 304L
13	Lever	1	AISI 304L
14	Handle	1	Resin

